



Oregon

Kate Brown, Governor

Water Resources Department

North Mall Office Building
725 Summer St NE, Suite A
Salem, OR 97301
Phone (503) 986-0900
Fax (503) 986-0904
www.wrd.state.or.us

August 26, 2015

STEVEN C. BLAND WWC #1592
SKYLES DRILLING INC.
21912 S BEAVERCREEK ROAD
OREGON CITY, OREGON 97045

FINAL ORDER

Dear Mr. Bland:

The Special Standards Request Form you submitted for owner: Urban Renaissance Group, Start Card number 1027593, is hereby approved for the following: You may abandon this water well as outlined on your Special Standards Request Form. The Special Standards Request approval is due to the pump and pump column getting stuck lower in the well bore when trying to pull it out. A copy of your Special Standards Request Form is enclosed. All other standards must be adhered to. This Special Standards Request supersedes the Special Standards Request approval dated August 17, 2015 for Start Card number 1027591.

Verbal approval of this Special Standards request was given on August 20, 2015.

The Well Construction Standards serve to protect ground water resources. By approving and issuing this special construction standard the Oregon Water Resources Department is not representing that a well constructed in accordance with this condition will maintain structural integrity or that it meets engineering standards. The well constructor/or landowner is responsible for ensuring that a well is constructed in a manner that protects ground water resources as required under Oregon Administrative Rules 690-200 through 690-240.

If you have any questions concerning this letter, I may be contacted at (503) 986-0852, or by e-mail at Joel.W.Jeffery@wr.d.state.or.us.

Sincerely,

Joel Jeffery, Coordinator
Well Construction Program
Well Construction and Compliance Section

enclosure

cc: Barry Sanford, NW Region Well Inspector
File

This is a final order in other than contested case. This order is subject to judicial review under ORS 183.484. Any petition for judicial review must be filed within the 60 day time period specified by ORS 183.484(2). Pursuant to ORS 536.075 and OAR 137-004-0080 you may either petition for judicial review or petition the Director for reconsideration of this order. A petition for reconsideration may be granted or denied by the Director, and if no action is taken within 60 days following the date the petition was filed, the petition shall be deemed denied.





Oregon Water Resources Department
 725 Summer Street NE, Suite A
 Salem Oregon 97301-1266
 (503) 986-0900
 www.wrd.state.or.us

Special Standards Request Form

REQUEST FOR WRITTEN APPROVAL TO USE CONSTRUCTION METHODS NOT INCLUDED IN OREGON ADMINISTRATIVE RULES 690-200 THROUGH 690-240

Before the request can be considered, this form must be completed. Requests shall be submitted to the Well Construction Program Coordinator, Water Resources Department, 725 Summer Street NE, Suite A, Salem OR 97301-1266. Requests may also be considered by the appropriate Regional Manager.

Date of request: 8-20-2015 Oral approval date (if applicable): 8-12-2015 AND 8-20-2015

Bonded Well Constructor (name, license #, and mailing address): Steven C. Bland
#1592 21912 S. Beaver Creek Rd, Oregon City, OR 97045

(1) Location of Well: SW 1/4 NW 1/4 Tax lot 2000 Section 03 BC,
 Township 1S N, Range 1E W, Multnomah County
 Address at well site: 1320 SW Broadway, Portland, OR

(2) Start Card Number(s)(for work to be done): W1027597 W1027593

(3) Name and Address of Land Owner: Urban Renaissance Group,
522 SW 5th Ave, #1105, Portland, OR 97006

(4) Distance to the nearest septic tank, drainfield, closed sewage line (if water supply well)
Unknown

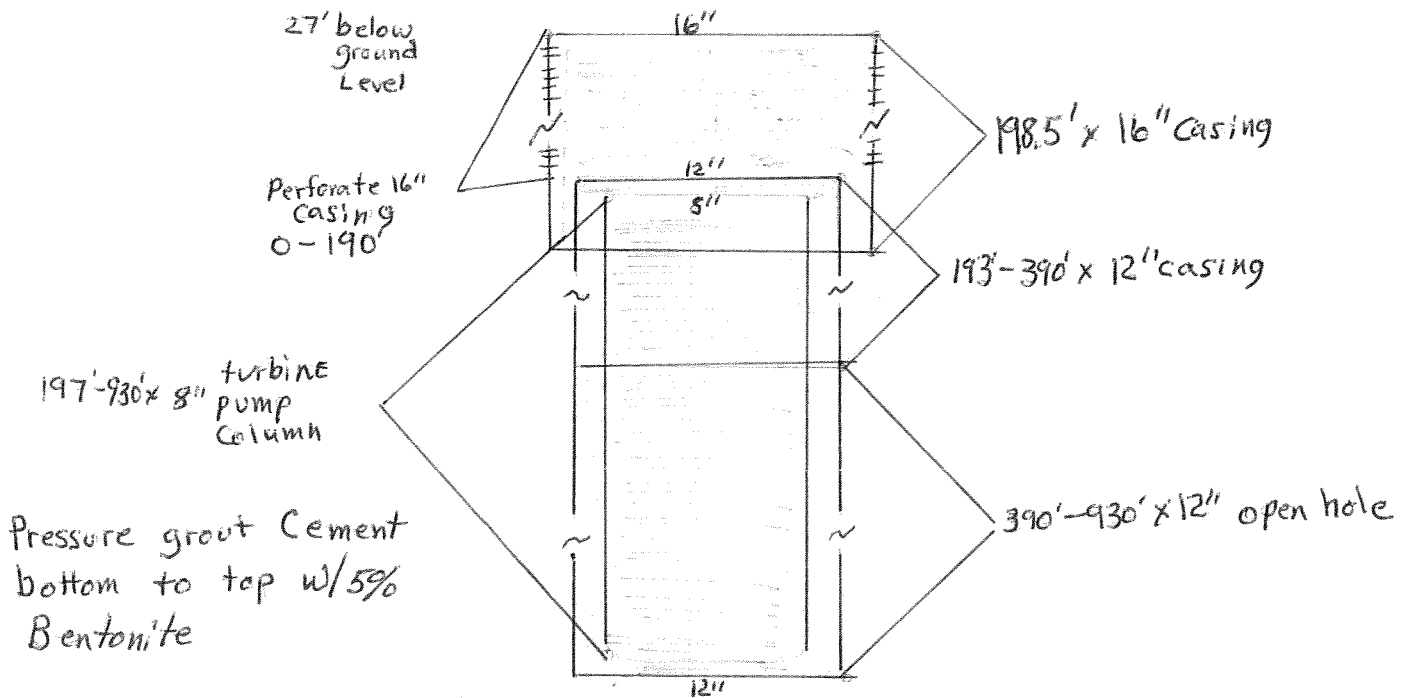
(5) The unusual site conditions which necessitate this request: Pump Column in
12" casing stuck, Now pump column stopped at
197'. Growth on inside of casing against pump column.

(6) The proposed construction methods that the bonded well constructor believes will be adequate for this well: (attach additional pages if needed)

It's open hole below 12" casing at 390', going to drop
and push Pump column to bottom. Pump cement at 197'
after perforate the 16" casing

SKYLES DRILLING, INC. RECEIVED BY OWRD
 503-656-2683

- (7) Diagram showing the pertinent features of the proposed well design and construction:
(attach additional pages if needed)



PLEASE NOTE:

- (1) The Well Construction Standards serve to protect ground water resources. By approving and issuing this special construction standard the Oregon Water Resources Department is not representing that a well constructed in accordance with this condition will maintain structural integrity or that it meets engineering standards. The well constructor/or landowner is responsible for ensuring that a well is constructed in a manner that protects ground water resources as required under Oregon Administrative Rules 690-200 through 690-240.
- (2) If it should be determined at some future date that the well, due to its construction, is allowing ground water contamination, waste or loss of artesian pressure, the undersigned shall return to the site and rectify the problem.
- (3) If oral approval was granted, a written request must be submitted to the Department either within three (3) working days of the date of oral approval or prior to the completion of the associated well work. Failure to submit a written request as described above may void prior oral approval.

I have read and understand the above information. I further attest that the information provided is accurate to the best of my knowledge.

Bonded Constructor Signature:

Steve E. Bland
SKYLES DRILLING, INC.

503-656-2683