



# Oregon

Tina Kotek, Governor

Oregon Water Resources Dept  
725 Summer St NE, Ste A Salem, OR 97301  
Ph (503) 986-0900, Fax (503) 986-0904  
[www.oregon.gov/owrd](http://www.oregon.gov/owrd)

June 20, 2024

STEVEN STADELI WWC/MWC #688  
WESTERBERG DRILLING INC  
PO BOX 1228  
MOLALLA, OR 97038

## FINAL ORDER

Dear Mr. Stadel:

The Special Standards Request Form you submitted for owner: Paul Miles, Whiskey Hill Plants, Start Card number 1073989, is hereby approved for the following: You may temporarily remove your drilling machine from this well site as described on your Special Standards Request Form dated June 20, 2024. ***The stipulation of this approval is that the drilling machine must be returned to this well site no later than August 1, 2024.*** All other well construction standards apply as required under Oregon Administrative Rules 690-210. A copy of your Special Standards Request Form is enclosed.

The Well Construction Standards serve to protect ground water resources. By approving and issuing this special construction standard the Oregon Water Resources Department is not representing that a well constructed in accordance with this condition will maintain structural integrity or that it meets engineering standards. The well constructor/or landowner is responsible for ensuring that a well is constructed in a manner that protects ground water resources as required under Oregon Administrative Rules 690-200 through 690-240.

If you have any questions regarding this letter, I may be contacted at (503) 302-8618, or by e-mail at [tommy.k.laird@water.oregon.gov](mailto:tommy.k.laird@water.oregon.gov).

Sincerely,

Tommy Laird  
Well Construction Program Coordinator  
Well Construction Section

enclosure

cc: Ryan Pillsbury, Well Inspector, Northwest Region  
Josh Lucas, Well Inspector, Northwest Region

**This is a FINAL ORDER other than contested case. This final order is subject to judicial review under ORS 183.484. Any petition for judicial review of the final order must be filed within the time specified by ORS 183.484(2). Pursuant to ORS 536.075 and OAR 137-004-0080 you may either petition for judicial review or petition the Director for reconsideration of this order. A petition for reconsideration may be granted or denied by the Director, and if no action is taken within 60 days following the date the petition was filed, the petition shall be deemed denied.**



**Oregon Water Resources Department**  
 725 Summer Street NE, Suite A  
 Salem Oregon 97301-1266  
 (503) 986-0900  
 www.wrd.state.or.us

# Special Standards Request Form

## REQUEST FOR WRITTEN APPROVAL TO USE CONSTRUCTION METHODS NOT INCLUDED IN OREGON ADMINISTRATIVE RULES 690-200 THROUGH 690-240

Before the request can be considered, this form must be completed. Requests shall be submitted to the Well Construction Program Coordinator, Water Resources Department, 725 Summer Street NE, Suite A, Salem OR 97301-1266. Requests may also be considered by the appropriate Regional Manager.

**Date of request:** 6-20-24 **Oral approval date (if applicable):** \_\_\_\_\_

**Bonded Well Constructor (name, license #, and mailing address):** \_\_\_\_\_

Steven N Stadelis #688, Westerberg Drilling Inc, PO Box 1228, Molalla, OR 97038

(1) Location of Well: NE 1/4 SW 1/4 Tax lot 2200 Section 1,  
 Township 5 N, Range 1 W, Clackamas County

Address at well site: \_\_\_\_\_

45.163540 -122.757440

(2) Start Card Number(s)(for work to be done): 1073989

(3) Name and Address of Land Owner: \_\_\_\_\_

Paul Miles - Whiskey Hill Plants, PO Box 1201, Canby, OR 97013, 30711 S. Meridian Rd, Hubbard

(4) Distance to the nearest septic tank, drainfield, closed sewage line (if water supply well)

100 ft >

(5) The unusual site conditions which necessitate this request: We drilled the well with air rotary rig

& ordered well screen. It takes 4-6 weeks to get well screen. Requesting to move drill rig off site until

well screen is received

(6) The proposed construction methods that the bonded well constructor believes will be adequate for this well: (attach additional pages if needed)

12" temporary surface casing to 60 ft., 8" casing set to 457 ft with drive shoe cut off on 8" casing.

(10) The Unusual Site Conditions Which Necessitate this Request: \_\_\_\_\_

\_\_\_\_\_  
\_\_\_\_\_

(11) The Proposed Construction Methods the Bonded Well Constructor Believes will be Adequate for this Well (attach additional pages if needed): \_\_\_\_\_

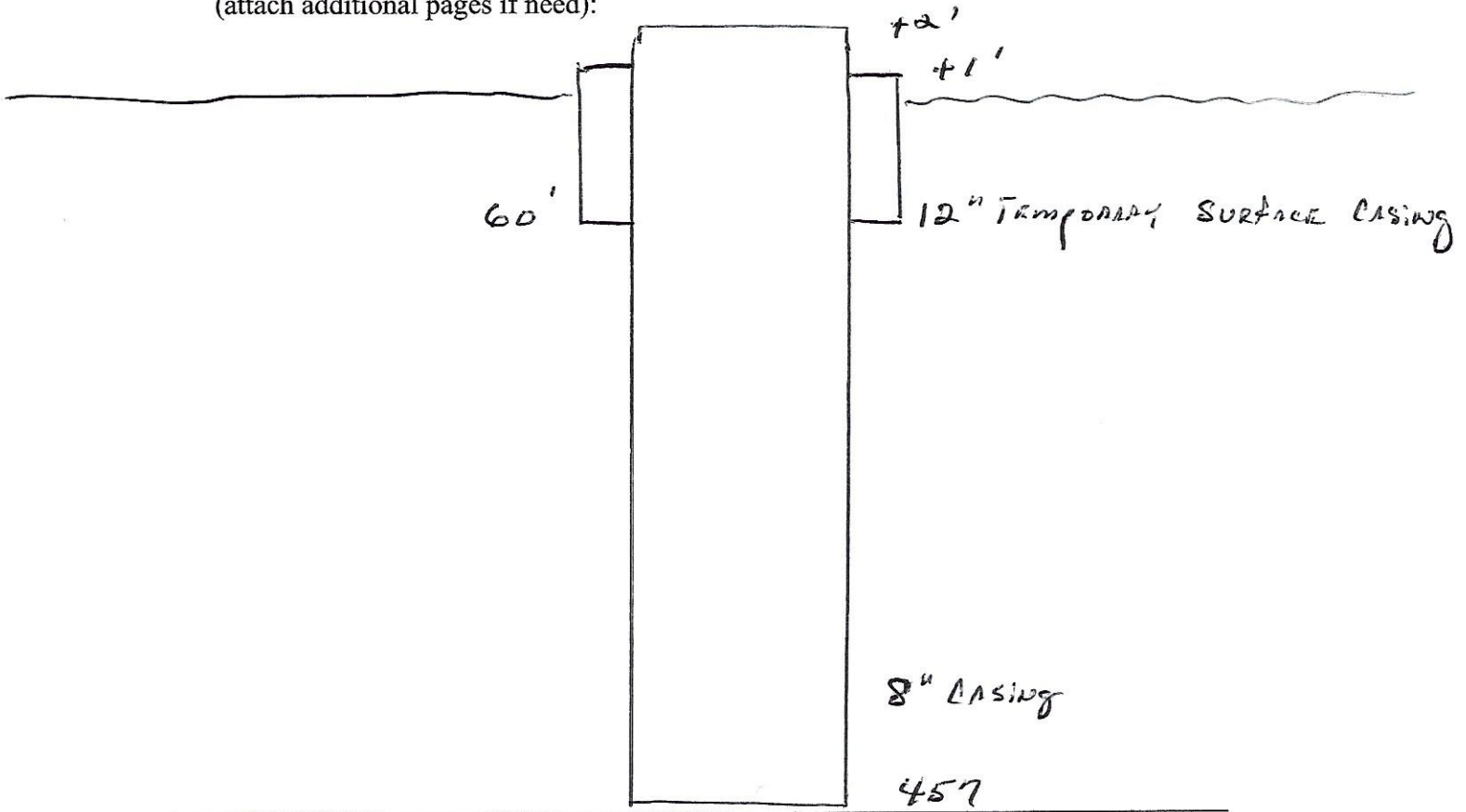
\_\_\_\_\_  
\_\_\_\_\_

(12) Attach a Site Map Showing the Relationship of the Well(s) to Any Existing Septic Tank, Drainfield, Closed Sewage Line, and Closed Storm Drainage System if the Request is to Place a Water Supply Well Within the Minimum Setbacks Detailed in OAR 690-210-0030.

(13) If the Request is to Abandon a Monitoring Well In-Place, Then the Most Current Water Quality Analytical Data Must be Provided.

(14) Monitoring Well Special Standard Requests Must Provide Oregon Department of Environmental Quality Site or Facility Identification Number and No Further Action (NFA) Decision (if applicable).

(15) Diagram showing the pertinent features of the proposed well design and construction (attach additional pages if need):



PLEASE NOTE:

- (1) The Well Construction Standards serve to protect ground water resources. By approving and issuing special construction standards, the Oregon Water Resources Department is not representing that a well constructed in accordance with this condition will maintain structural integrity or that it meets engineering standards. The well constructor or landowner is responsible for ensuring that a well is constructed in a manner that protects groundwater resources as required under Oregon Administrative Rules 690-200 through 690-240.
- (2) If it should be determined at some future date that the well, due to its construction, is allowing groundwater contamination, waste or loss of artesian pressure, the undersigned shall return to the site and rectify the problem.
- (3) If oral approval was granted, a written request must be submitted to the Department either within three (3) working days of the date of oral approval or prior to completion of the associated well work. Failure to submit a written request as described above may void prior oral approval.

I have read and understand the above information. I further attest that the information provided is accurate to the best of my knowledge.

Bonded Constructor Signature: Steven M. Steinhilber