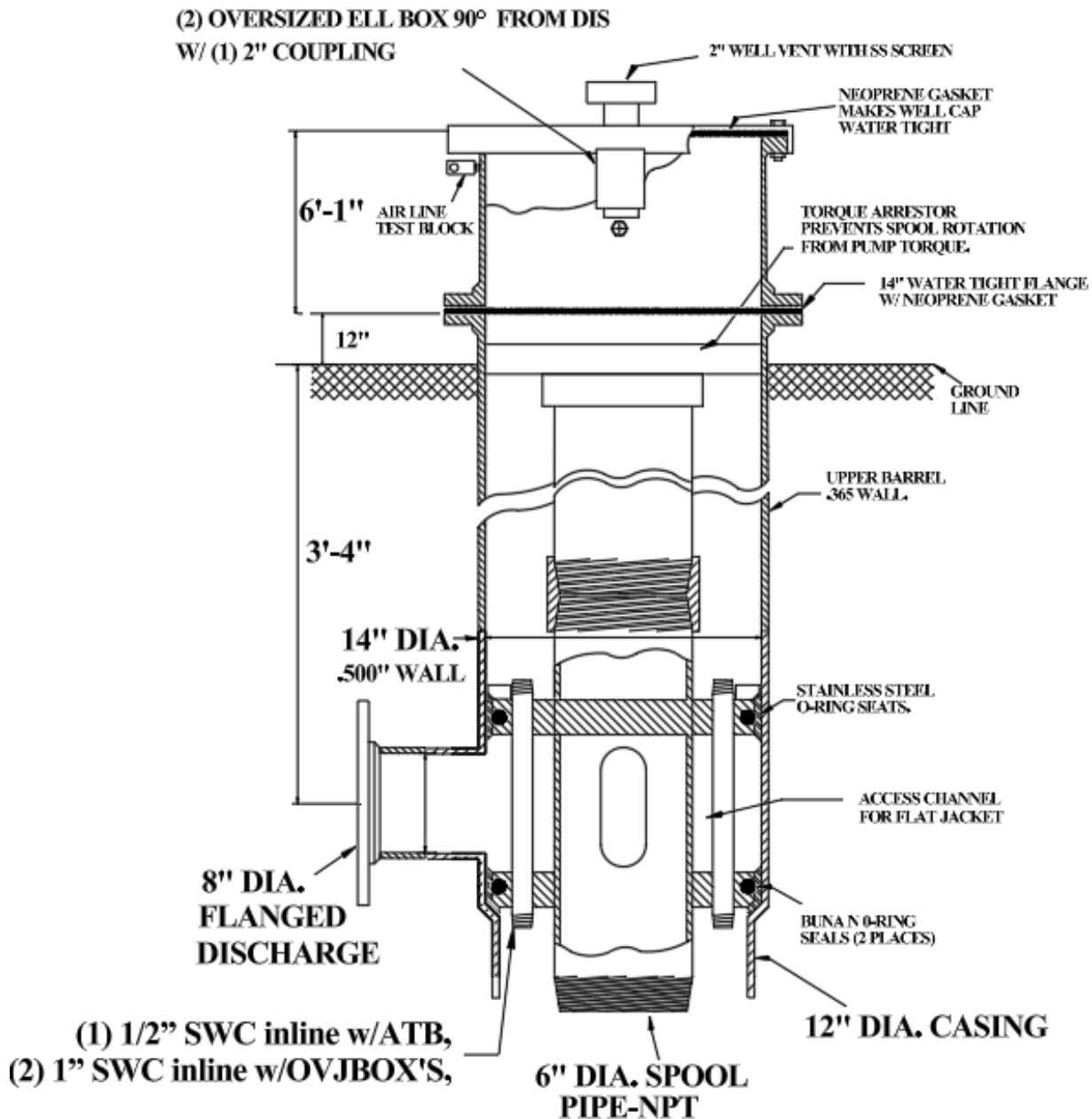


## SUBMITTAL

Model: MB, HD, S-12, 14FL, 8, FL-6, NPT-WT-10'-9" (3'-4" Below Grade & 7'-5" Above Grade), TA-(2) 1" SWC, (1) 1/2" SWC, ATB, (2) OVELL



**COATED WITH AN APPROVED CATALYTIC EPOXY COATING, MEETING FDA/NSF-61/AWWA C-210/ASSE 1093/WSC-PS-97(2019) STANDARDS AT NO EXTRA CHARGE**

Manufactured by Maass Midwest, Huntley, IL. USA. 60142