



# Oregon

Tina Kotek, Governor

Oregon Water Resources Dept  
725 Summer St NE, Ste A Salem, OR 97301  
Ph (503) 986-0900, Fax (503) 986-0904  
[www.oregon.gov/owrd](http://www.oregon.gov/owrd)

July 21, 2025

ERIC SCHNEIDER WWC #1988  
SCHNEIDER WATER SERVICES  
21881 RIVER RD NE  
ST. PAUL, OR 97137

## FINAL ORDER

Dear Mr. Schneider:

The Special Standards Request Form you submitted for landowner: City of Monmouth, Start Card number: 1078572, is hereby approved for the following: You may alter this water supply well (MARI 70798) as outlined on your Special Standards Request Forms dated July 16, 2025. All other well construction standards apply as required under Oregon Administrative Rules 690-210 and 690-215. A copy of your Special Standards Request Form is enclosed.

The Well Construction Standards serve to protect ground water resources. By approving and issuing this special construction standard the Oregon Water Resources Department is not representing that a well constructed in accordance with this condition will maintain structural integrity or that it meets engineering standards. The well constructor/or landowner is responsible for ensuring that a well is constructed in a manner that protects ground water resources as required under Oregon Administrative Rules 690-200 through 690-240.

If you have any questions concerning this letter, I may be contacted at (503) 302-8618, or by e-mail at [Tommy.K.Laird@water.oregon.gov](mailto:Tommy.K.Laird@water.oregon.gov).

Sincerely,

Tommy Laird  
Well Construction Program Coordinator  
Well Construction Section

Enclosure

cc: Ryan Pillsbury, Well Inspector, Northwest Region  
Josh Lucas, Well Inspector, Northwest Region

**This is a FINAL ORDER other than contested case. This final order is subject to judicial review under ORS 183.484. Any petition for judicial review of the final order must be filed within the time specified by ORS 183.484(2). Pursuant to ORS 536.075 and OAR 137-004-0080 you may either petition for judicial review or petition the Director for reconsideration of this order. A petition for reconsideration may be granted or denied by the Director, and if no action is taken within 60 days following the date the petition was filed, the petition shall be deemed denied.**



**Required Documents:**

- Diagram and written description showing the pertinent features of the proposed well design, construction or abandonment. Include any setback constraints.

Title	Type	Summary
Monmouth Well 1A Pitless Drawing	DIAGRAM	Pitless Unit Drawing

**Note:**

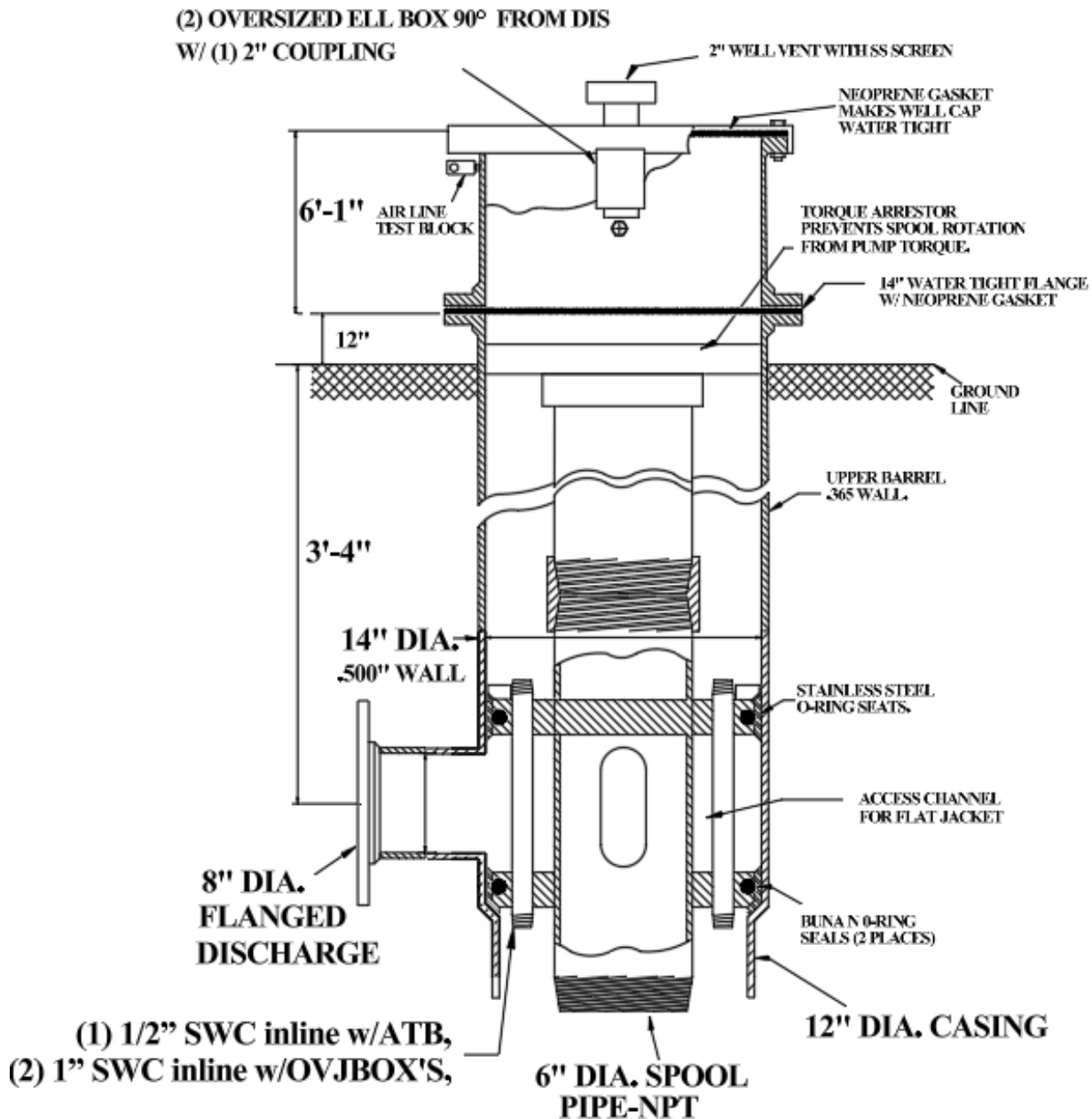
(1) The Well Construction Standards serve to protect ground water resources. By approving and issuing special construction standards, the Oregon Water Resources Department is not representing that a well constructed in accordance with this condition will maintain structural integrity or that it meets engineering standards. The well constructor or landowner is responsible for ensuring that a well is constructed in a manner that protects groundwater resources as required under Oregon Administrative Rules 690-200 through 690-240.

(2) If it should be determined at some future date that the well, due to its construction, is allowing groundwater contamination, waste or loss of artesian pressure, the undersigned shall return to the site and rectify the problem.

(3) If oral approval was granted, a written request must be submitted to the Department either within three (3) working days of the date of oral approval or prior to completion of the associated well work. Failure to submit a written request as described above may void prior oral approval.

## SUBMITTAL

Model: MB, HD, S-12, 14FL, 8, FL-6, NPT-WT-10'-9" (3'-4" Below Grade & 7'-5" Above Grade), TA-(2) 1" SWC, (1) 1/2" SWC, ATB, (2) OVELL



**COATED WITH AN APPROVED CATALYTIC EPOXY COATING, MEETING FDA/NSF-61/AWWA C-210/ASSE 1093/WSC-PS-97(2019) STANDARDS AT NO EXTRA CHARGE**

Manufactured by Maass Midwest, Huntley, IL. USA. 60142