

Mean elevation bottom 257.8'.
Average area 55.2 acres.

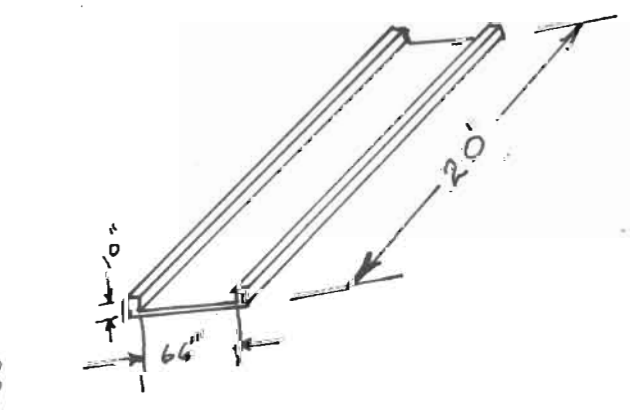
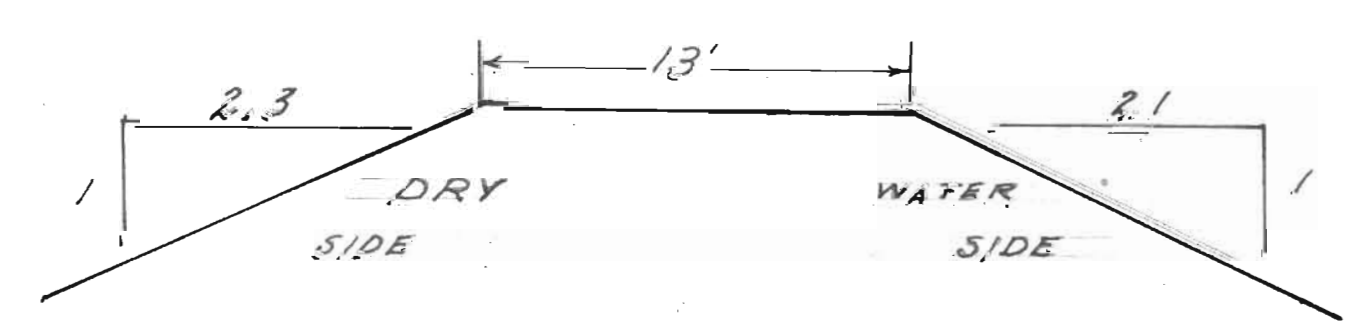
Mean elevation bottom 256.5'.
Average area 63 acres.

LES HOBIN LOG POND PHILOMATH, ORE.

Sec. 12 & 13, T. 12 S., R. 6 W., W. M.
Scale 1" = 50'
March 20, 1957

Bert W. Ude!!
Reg. Engr. #2301

TYPICAL DIKE CROSS SECTION



4" Pipe from well to pond.
222' N of 612' E from
(SE Cor. D. Henderson)
DLC #46

Waste Spillway constructed from 2x12s - Controlled by 2 1/2% crosswise in channel

