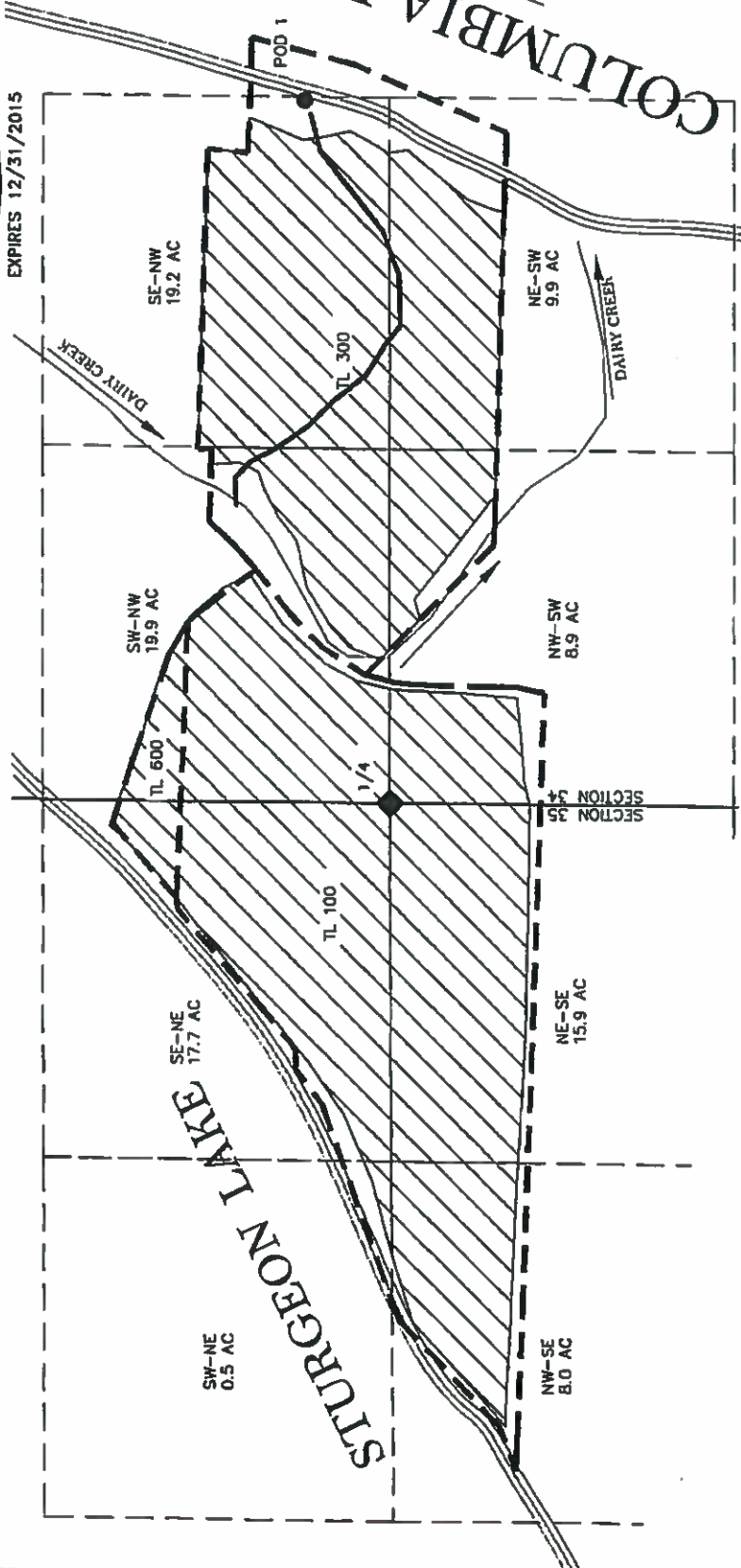
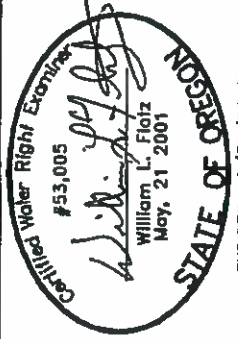


# WATER RIGHTS APPLICATION MAP

TL 100 Section 34 &  
 TL 300 & 600 Section 35B  
 T3N, R1W, WM  
 MULT. COUNTY, OR

PREPARED FOR:  
 CEREGHINO FARMS  
 20525 NE Wistful Vista Drive  
 Fairview, OR 97024



- ◆ 1/4 CORNER S34 AND S35
- POINT OF DIVERSION IS LOCATED 320' NORTH AND 2640' EAST OF THE 1/4 S35 & S35
- SUPPLEMENTAL IRRIGATION
- PROPOSED PIPELINE
- TAX LOT BOUNDARY
- 1/4-1/4 LINE

THIS MAP WAS PREPARED FOR THE PURPOSE OF IDENTIFYING THE LOCATION OF A WATER RIGHT ONLY AND IS NOT INTENDED TO PROVIDE LEGAL DIMENSIONS OR LOCATION OF PROPERTY OWNERSHIP LINES.



**RECEIVED**  
 JUL 29 2015  
 OWRD



Project: 313094  
 Drawing: 313094F.dwg  
 By: WLF  
 Checked by: WLF  
 Date: JULY 28, 2015

5-88/04