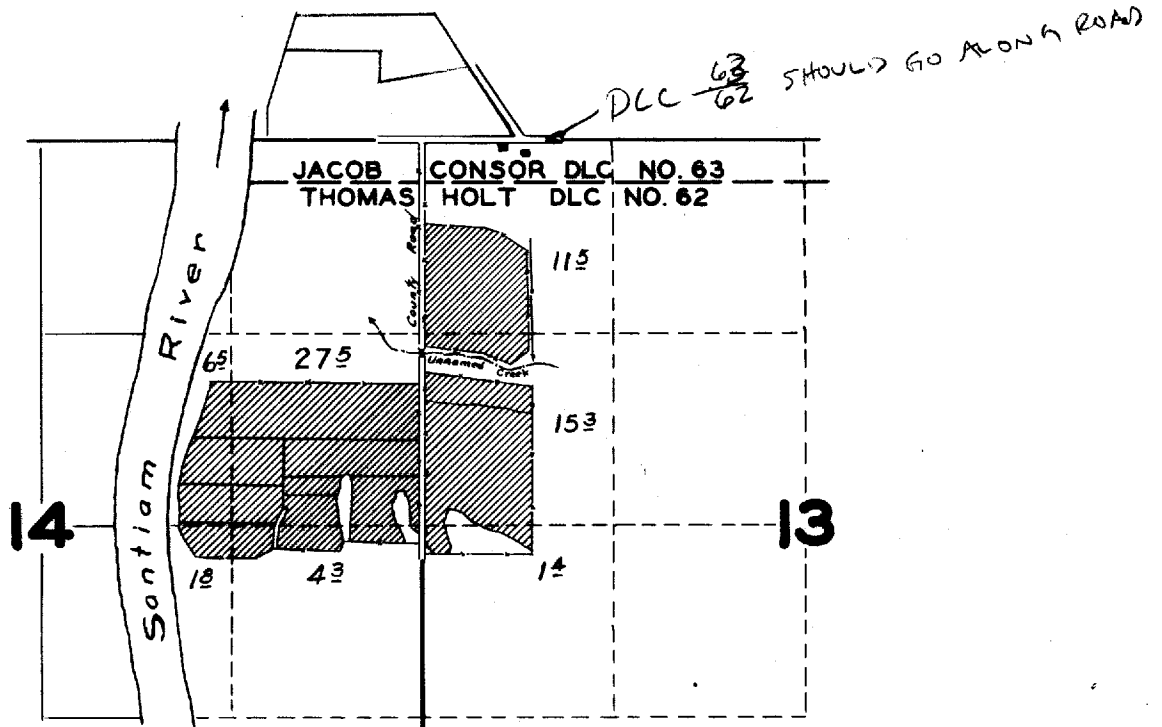


T. 10 S..R. 3 W. W.M.



FINAL PROOF SURVEY

UNDER

Application No. 17430 Permit No. 13123

IN NAME OF

John Calahan

Surveyed July 9, 1947, by Geo. D. Naderman