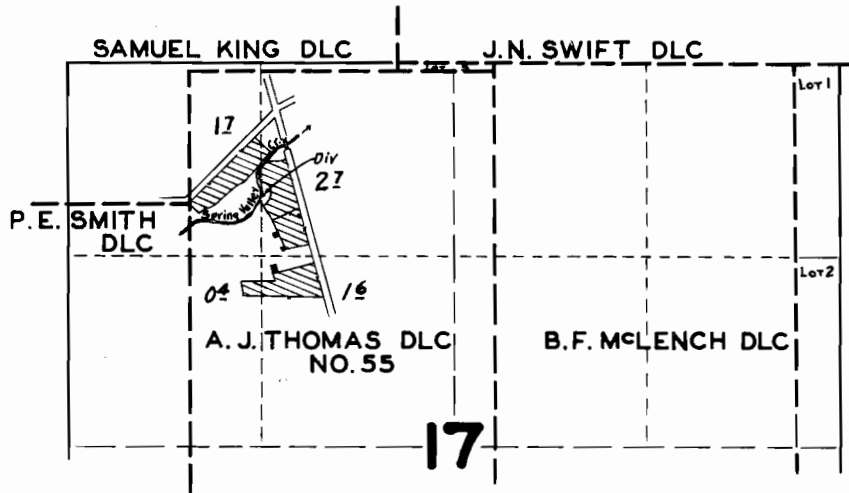


T. 6 S., R. 3 W. W.M.



FINAL PROOF SURVEY

UNDER

Application No. 17615 Permit No. 13305

IN NAME OF

Russell D. Hills

Surveyed June 8 1942, by Geo. W. Tardeman

App. No. 23442
Permit No. 13305