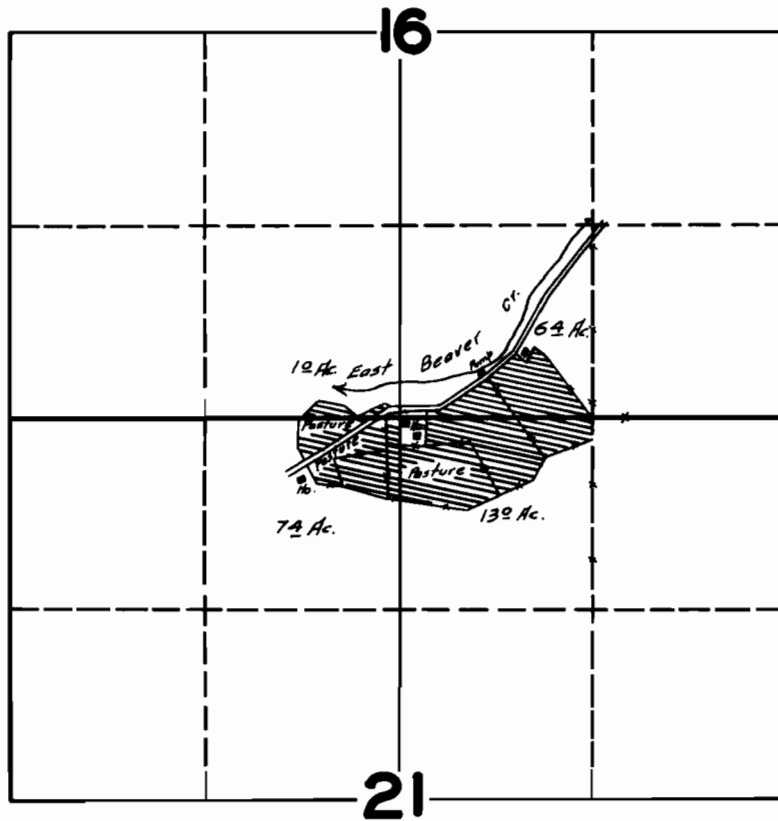


**T.3S. R.9W.W.M.**



**FINAL PROOF SURVEY  
UNDER**

Application No. 19430 Permit No. 15030

IN NAME OF

PHILIP PORTER

Surveyed AUG. 15 1944, by

*[Handwritten Signature]*