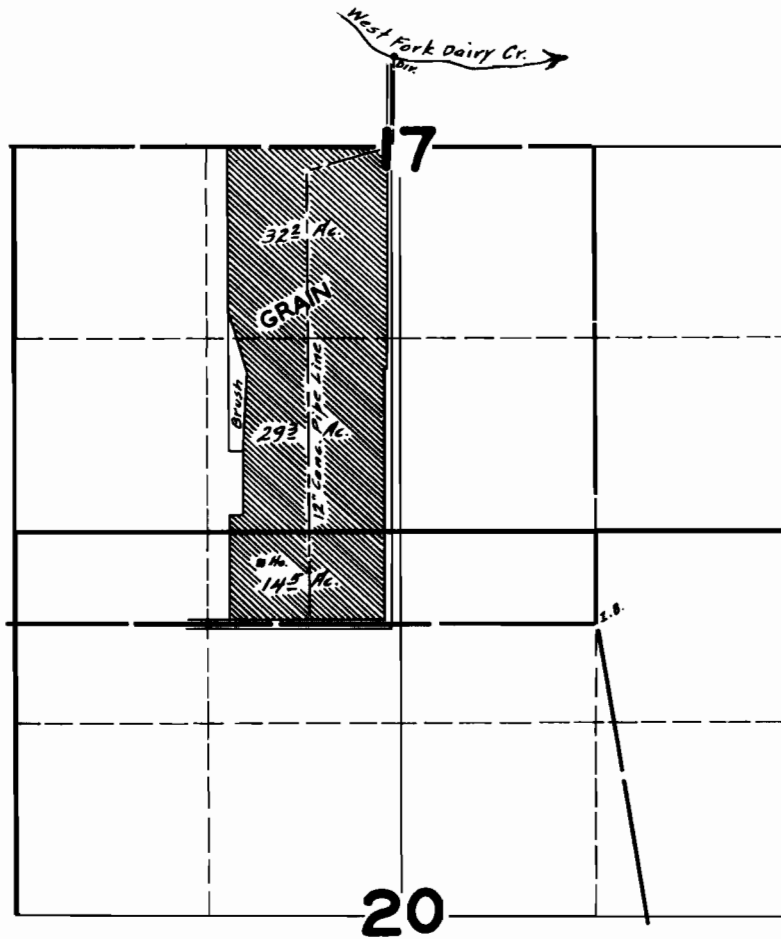


T. 1N. R. 3W. W.M.



FINAL PROOF SURVEY UNDER

Application No. 19844 Permit No. 15462

IN NAME OF

WM. VANDECOEVERING

Surveyed AUG. 28 1946, by

[Handwritten Signature]