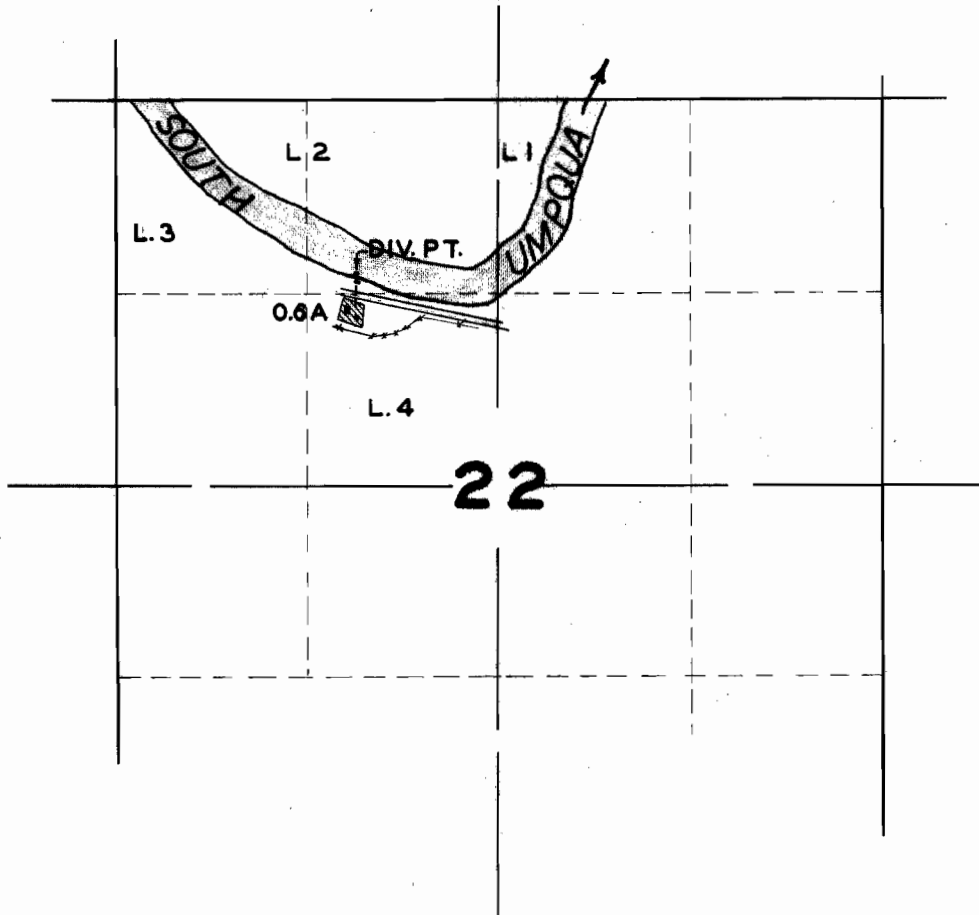


T.27S.R.6W.W.M.



FINAL PROOF SURVEY UNDER

Application No. 21076... Permit No. 16519...
IN NAME OF

.....C. P. PATCHETT.....

Surveyed JULY...1.. 1949., by H.L. COFFMAN...