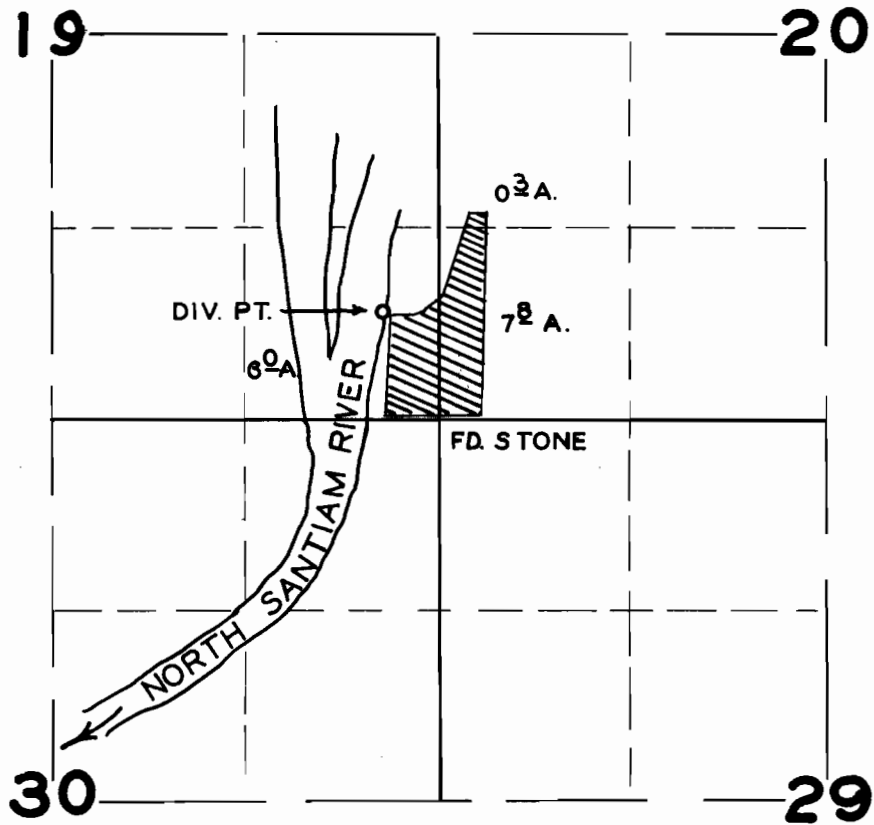


# T.9S.R.1W.W.M.



## FINAL PROOF SURVEY UNDER

Application No. 23431... Permit No. 18431...  
IN NAME OF

HAROLD CHRISTENSEN

Surveyed APR. 9. 1951., by H.L. COFFMAN