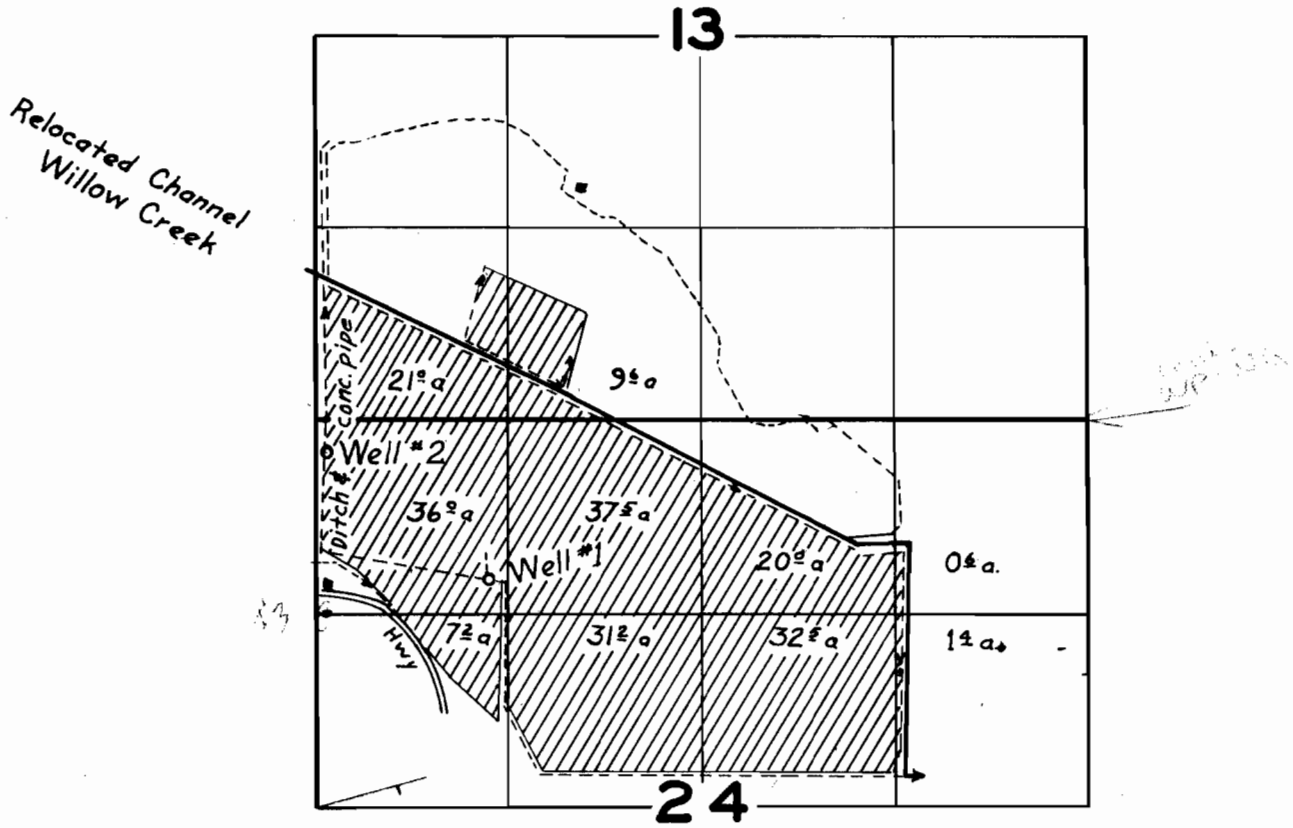


# T. 15S. R. 42E. WM



## FINAL PROOF SURVEY UNDER

Application No. U-204 Permit No. U-185  
IN NAME OF

The Tomasell Company

Surveyed July 22 1953, by H. L. Goffman