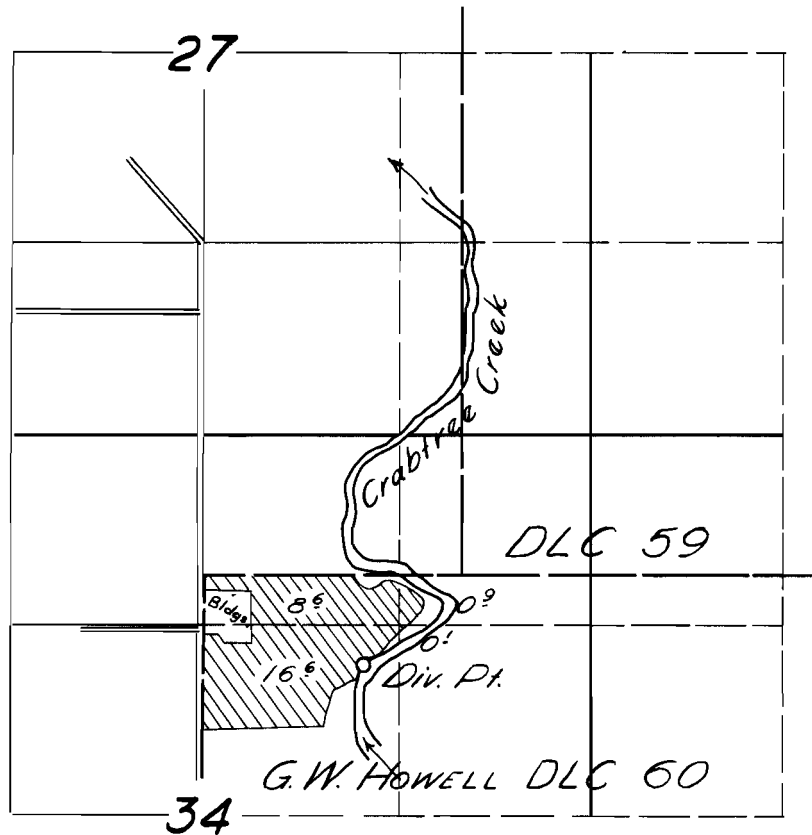


T. 10 S. R. 2 W. W. M.



FINAL PROOF SURVEY

UNDER

Application No. 26703 Permit No. 20902

IN NAME OF

JOHN & PANSYL SHEPHERD

Surveyed 27 July 1956, by *C. Whitley*