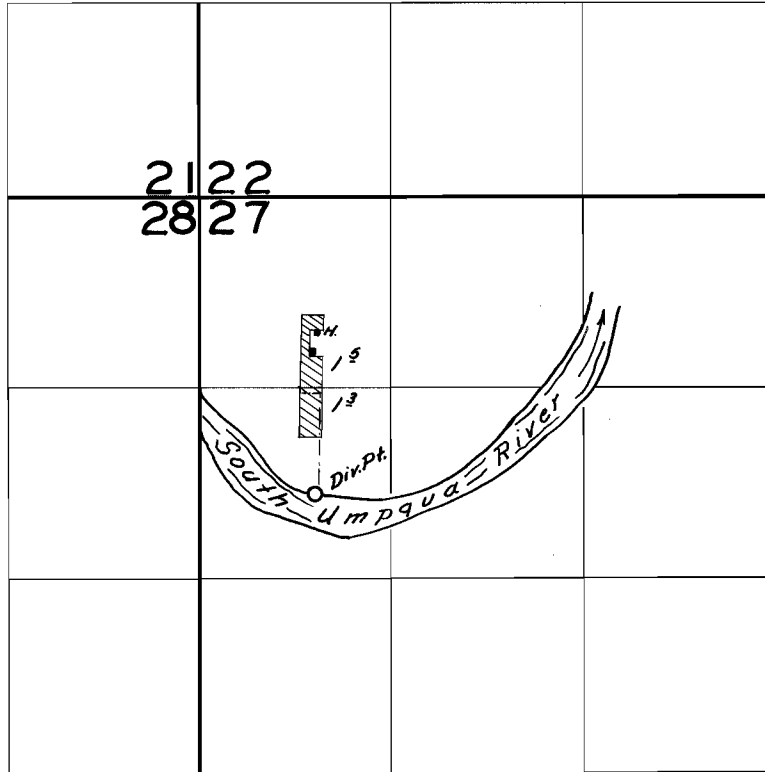


T.28 S. R.6 W.W.M.



**FINAL PROOF SURVEY**

UNDER

Application No. 28310 Permit No. 22259

IN NAME OF

Frank P. Liening

Surveyed Aug. 1, 1956, by C.O. Bartels