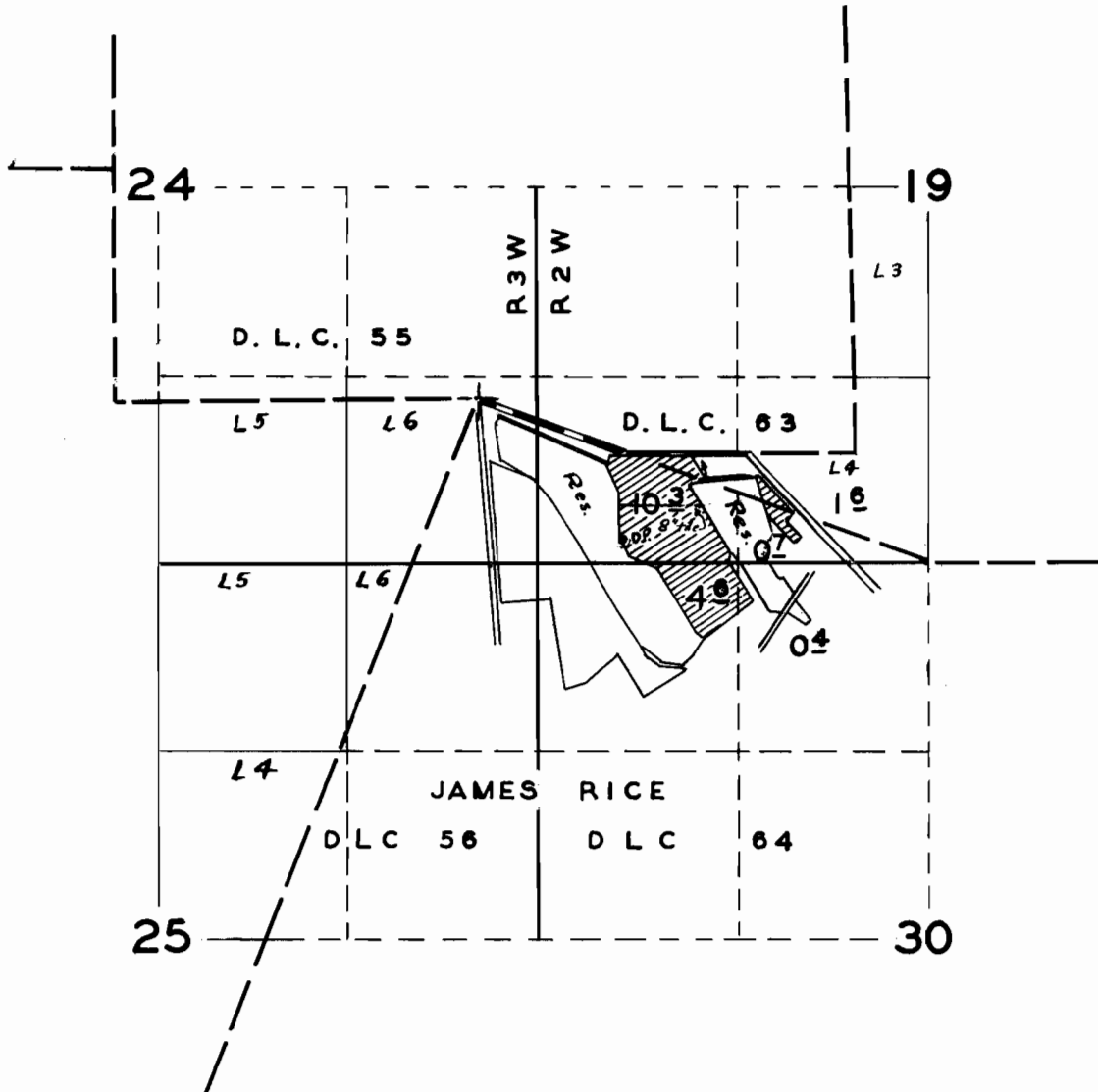


T. 1 S., R. 2 & 3 W., W.M.



FINAL PROOF SURVEY

UNDER

R-25619

R-1205

Application No. 25962 Permit No. 20547

IN NAME OF

GEORGE & EDWIN E. BURKHALTER

Surveyed 4 - 25 1956, by M. BISH