

T.5S.R.4W.W.M.

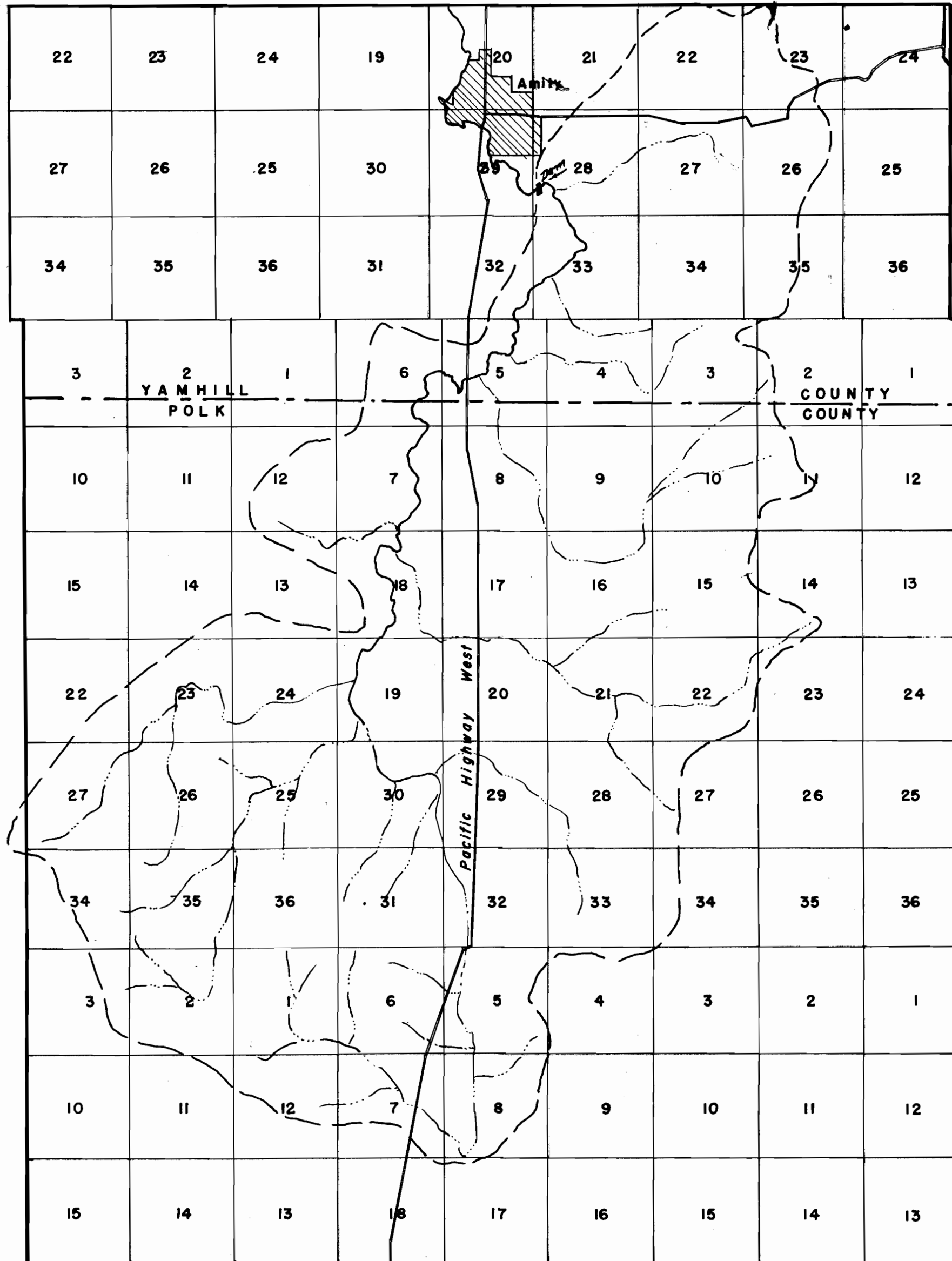


FINAL PROOF SURVEY
UNDER

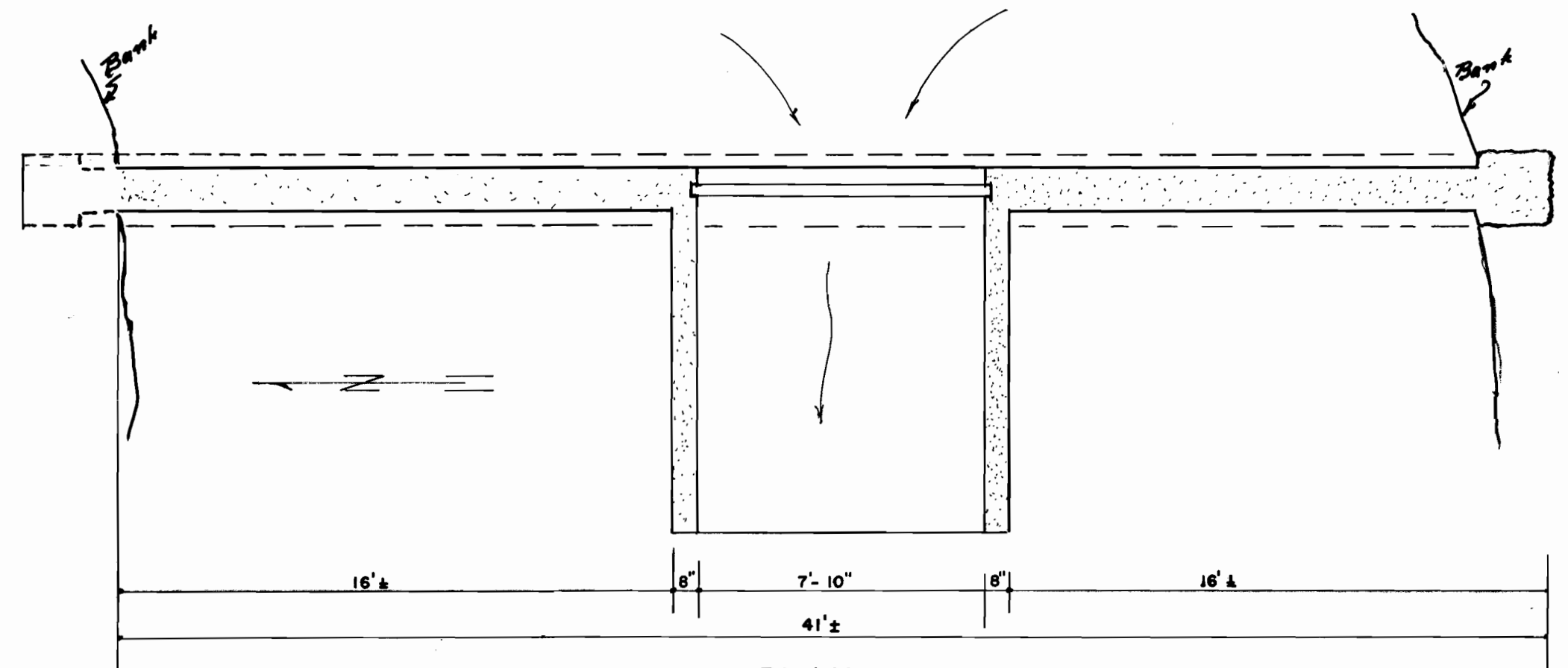
R-26938 R-1318
Application No. 25941 Permit No. 20985
IN NAME OF

I. C. ROBISON

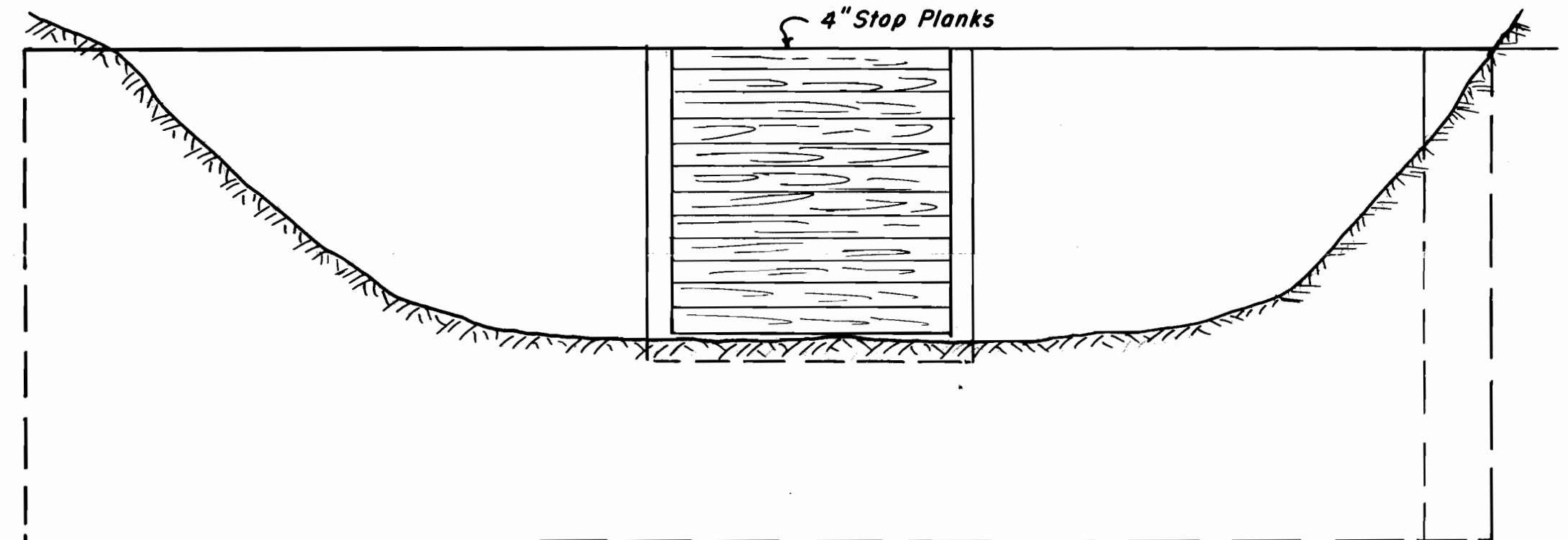
Surveyed 3 June 1957, by *R. White*



45.55 Sq. Miles
1" = 1 mile



PLAN
1/4" = 1'-0"

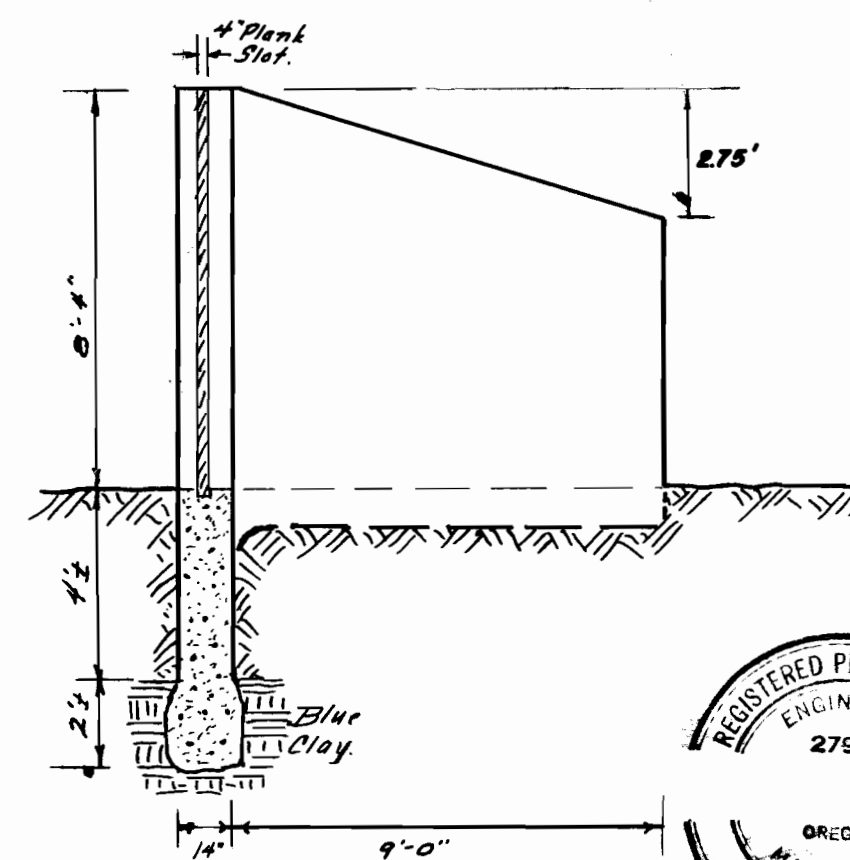


ELEVATION

LOOKING DOWNSTREAM
1/4" = 1'-0"

Note: THESE DETAILS are based on measurements taken in field of existing dam. Portions under ground are shown as described by owner's son, Thorold Robison, who supervised the construction. Structure withstood floods of fall '51 with no damage.

Monument set at dam site is N19°9'E 1479 ft. from S.W. Cor. of Sec. 28, T.5S., R.4 W.W.M., Yamhill Co., Ore.



SIDE ELEVATION
1/4" = 1'-0"



I. C. ROBISON	
Amity,	Oregon
CHECK DAM	
LOCATED IN N.W. 1/4 of SW 1/4, SEC. 28, T.5S., R.4 W.W.M., Yamhill Co.	
SCALE: as shown	DATE: Feb. 23, 1952 J.O. No. 5202-19
DR. W.C.	CLARK & GROFF ENGINEERS
Salem, Ore.	