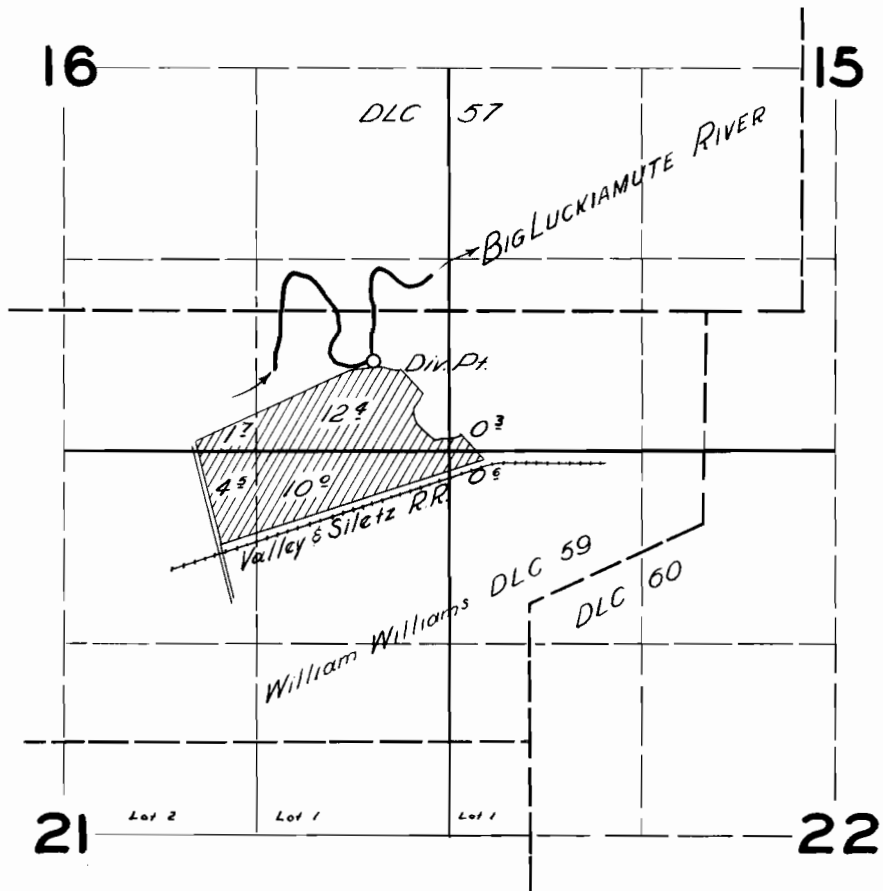


# T. 9S. R. 5 W. W.M.



PLANNED DEVELOPMENT  
UNDER

Application No. 24601 Permit No. 19649

IN NAME OF

FRED AUER & SONS

Surveyed 28 Mar. 1957, by *R. H. Whiteley*