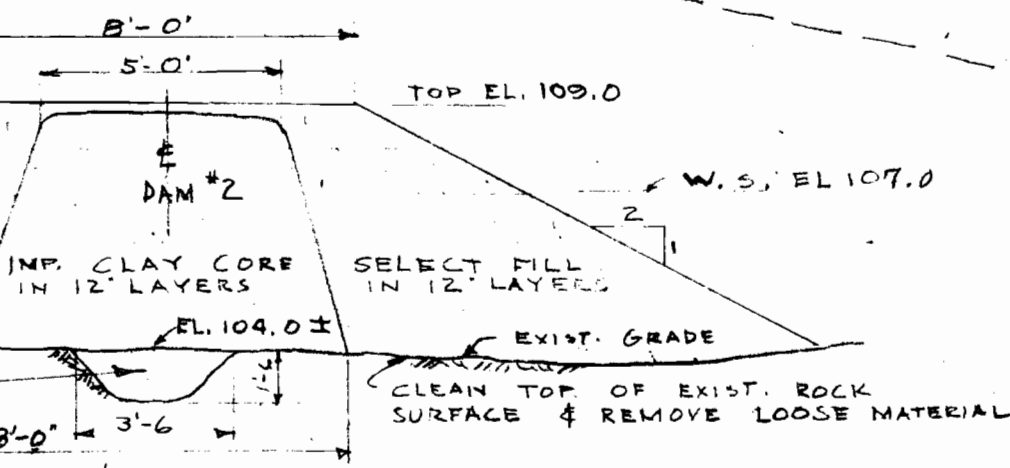
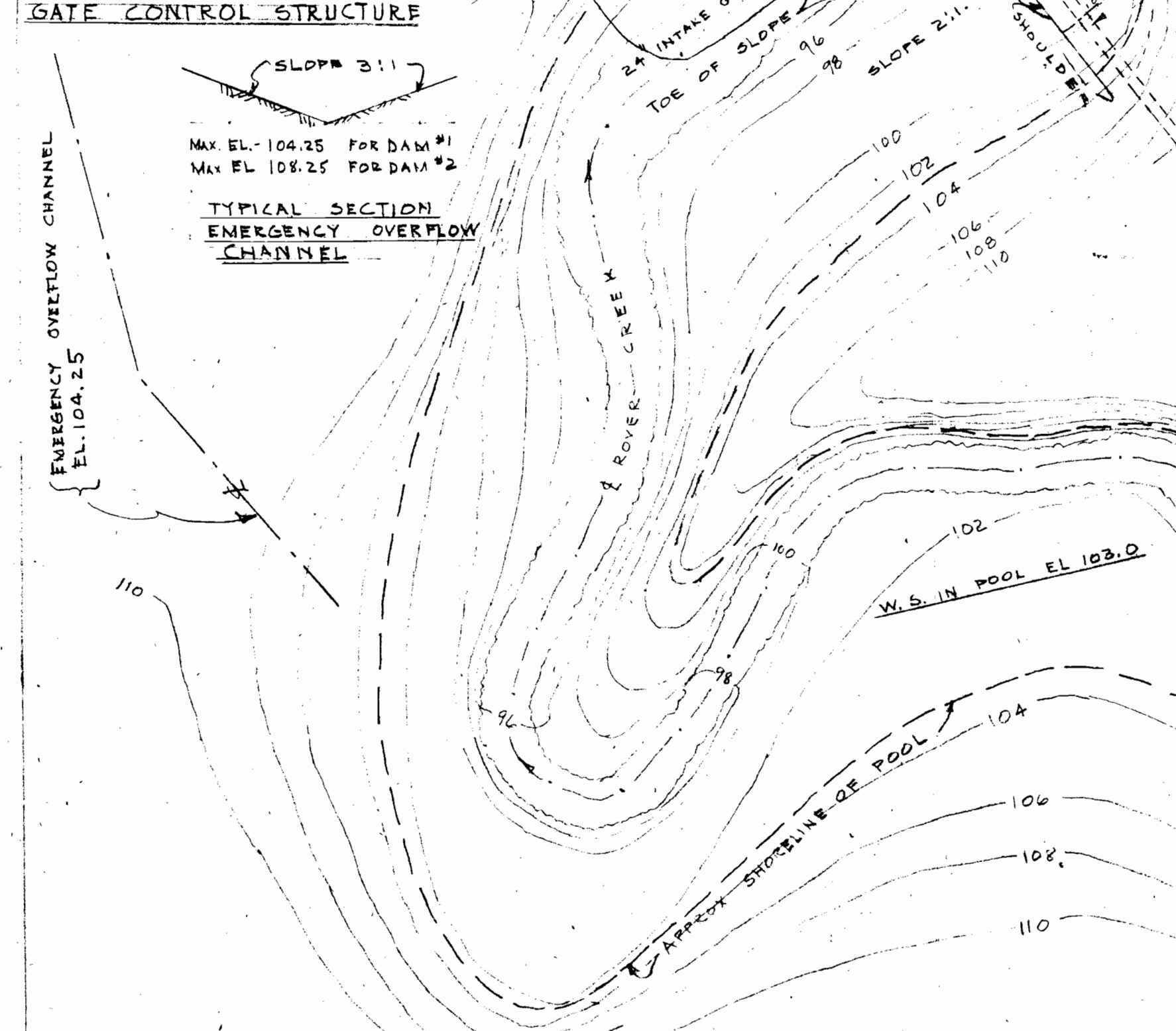
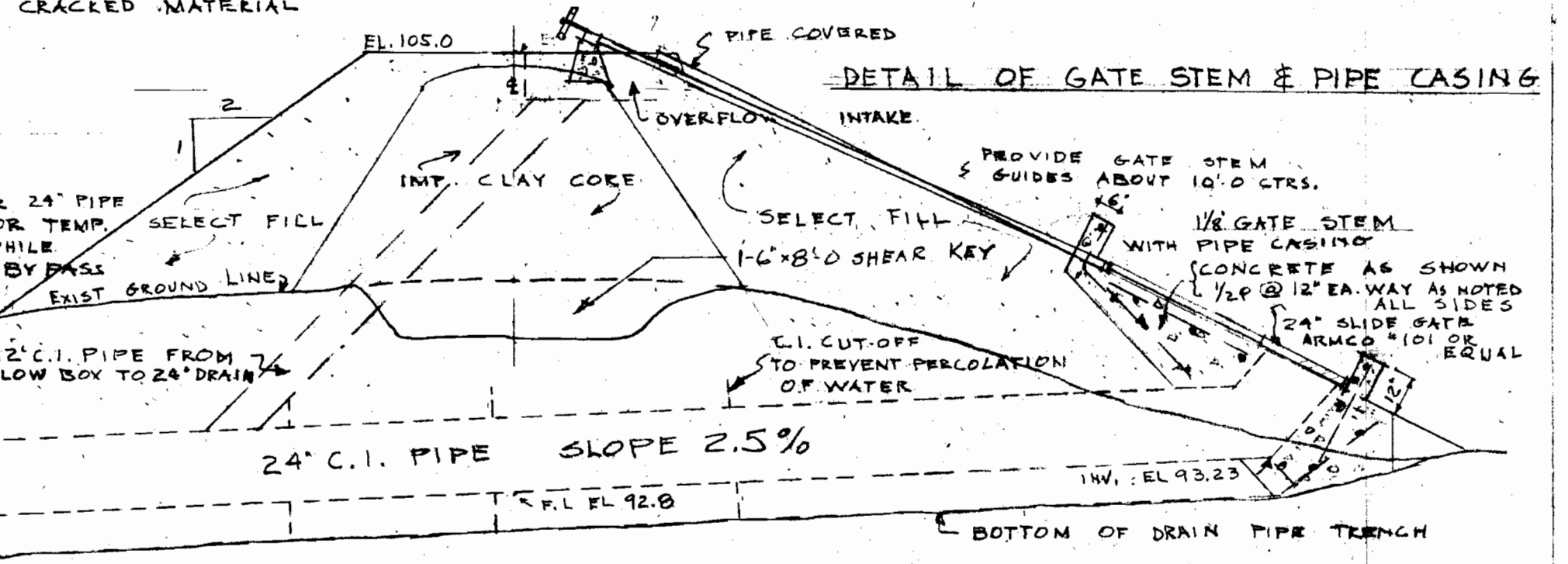
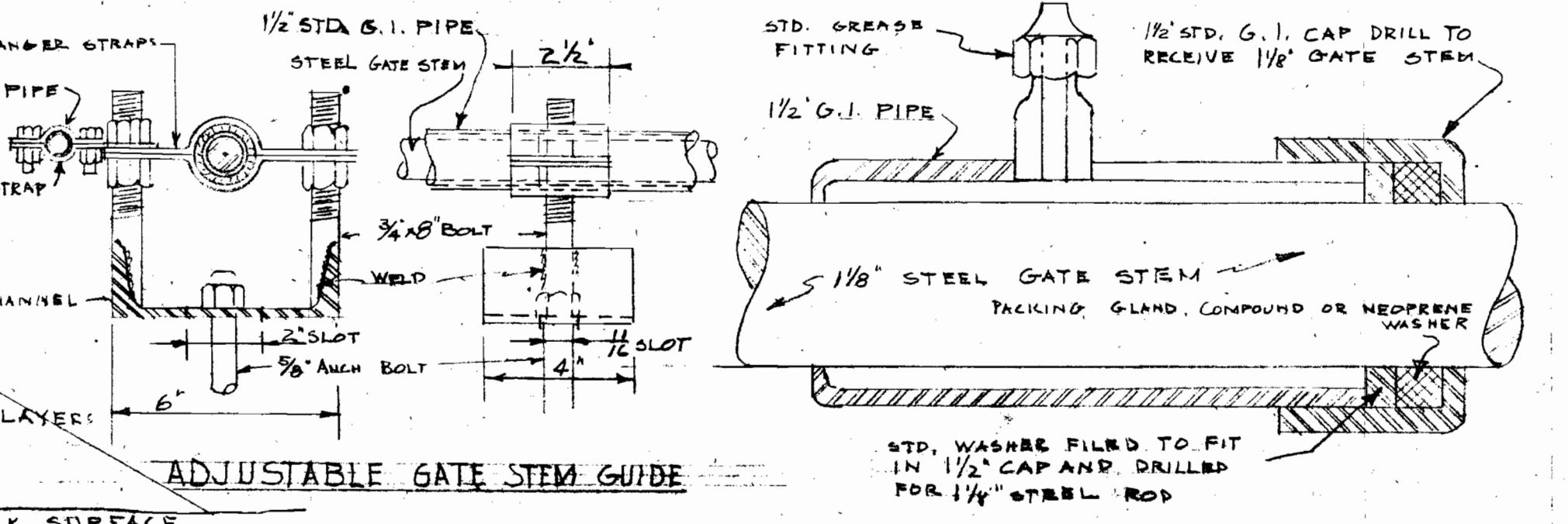
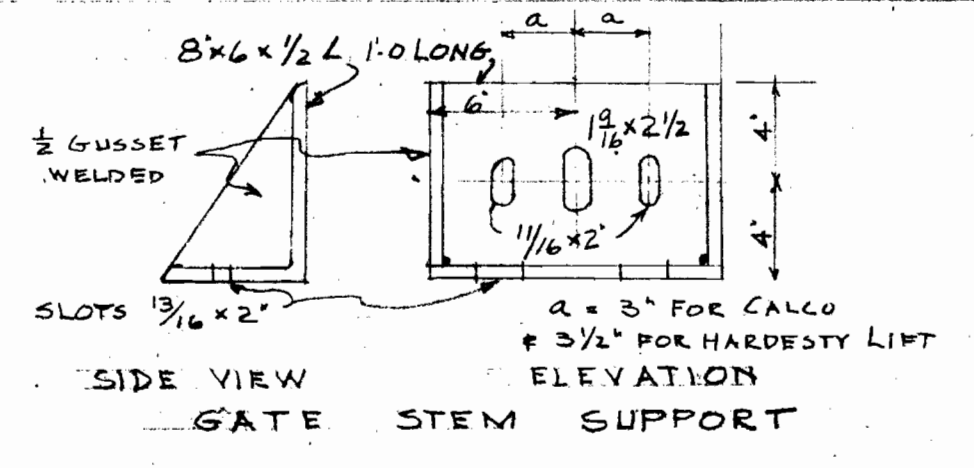
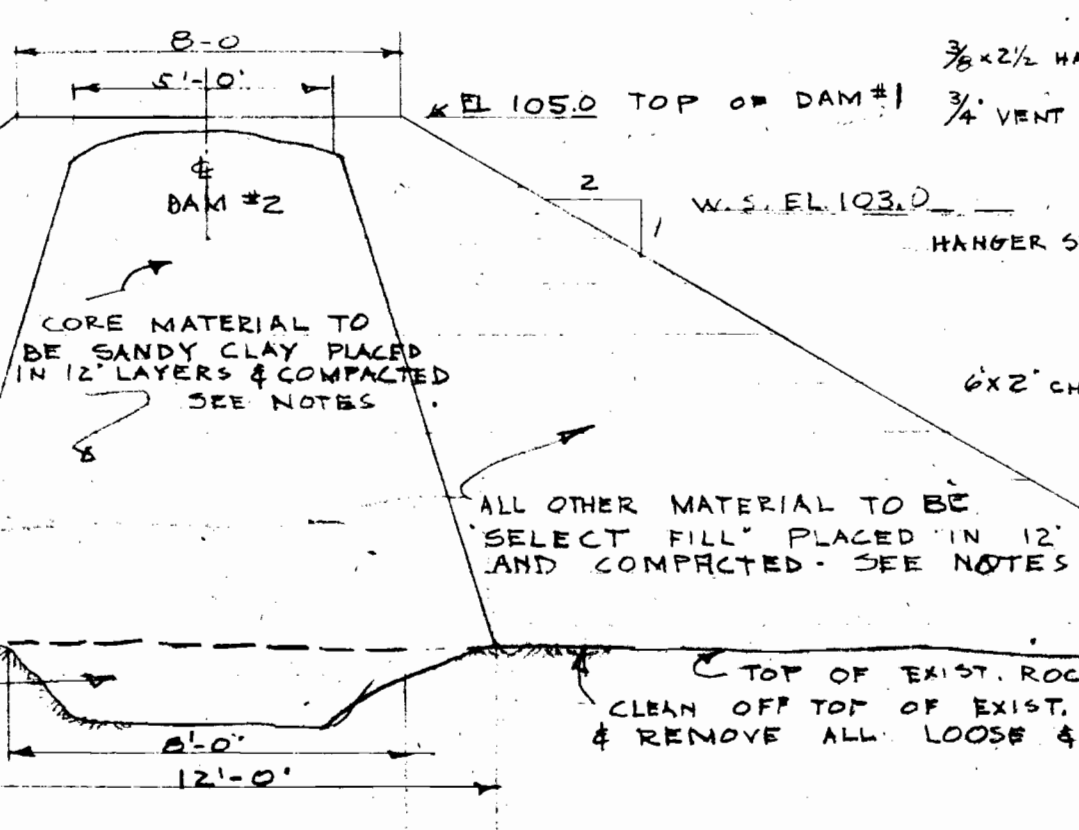


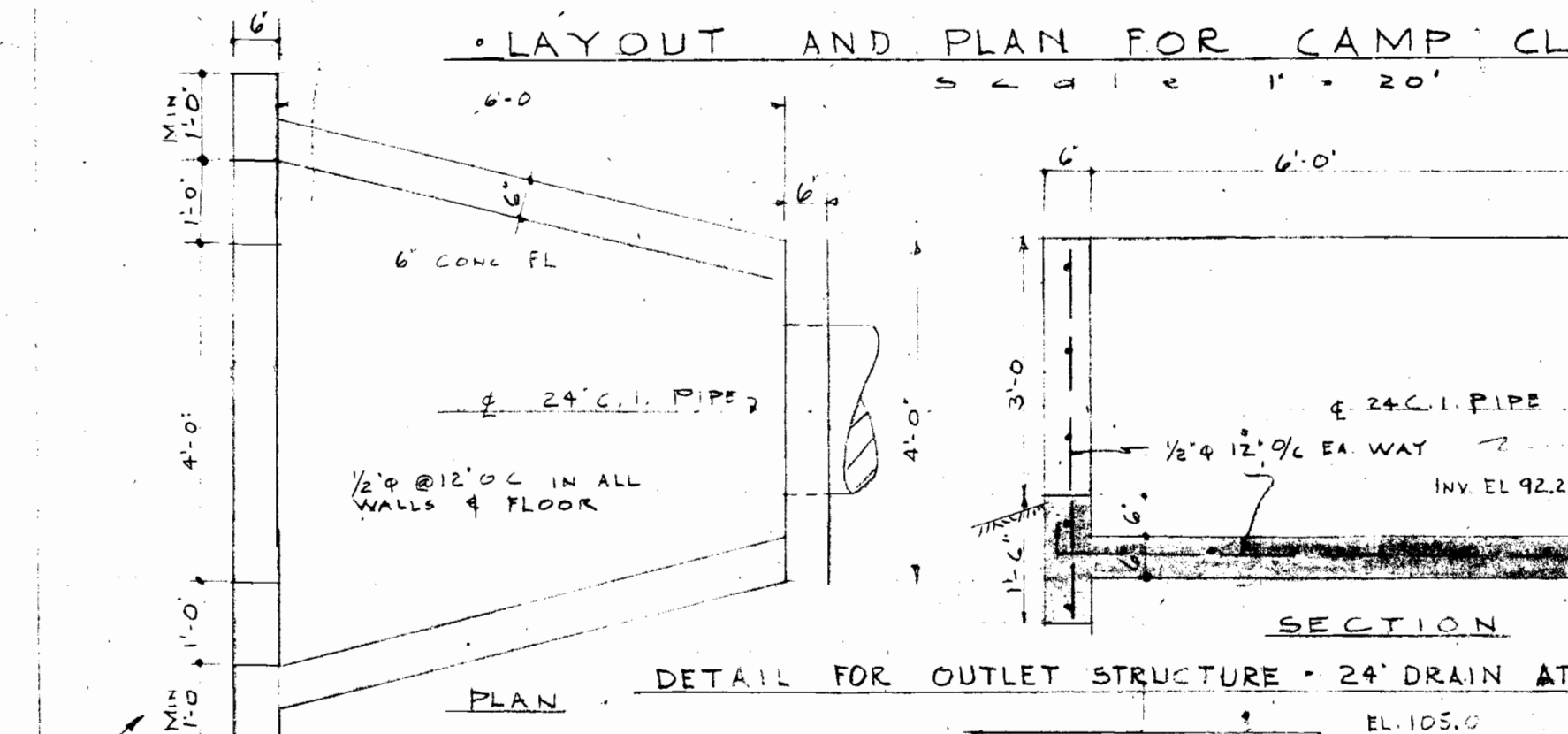
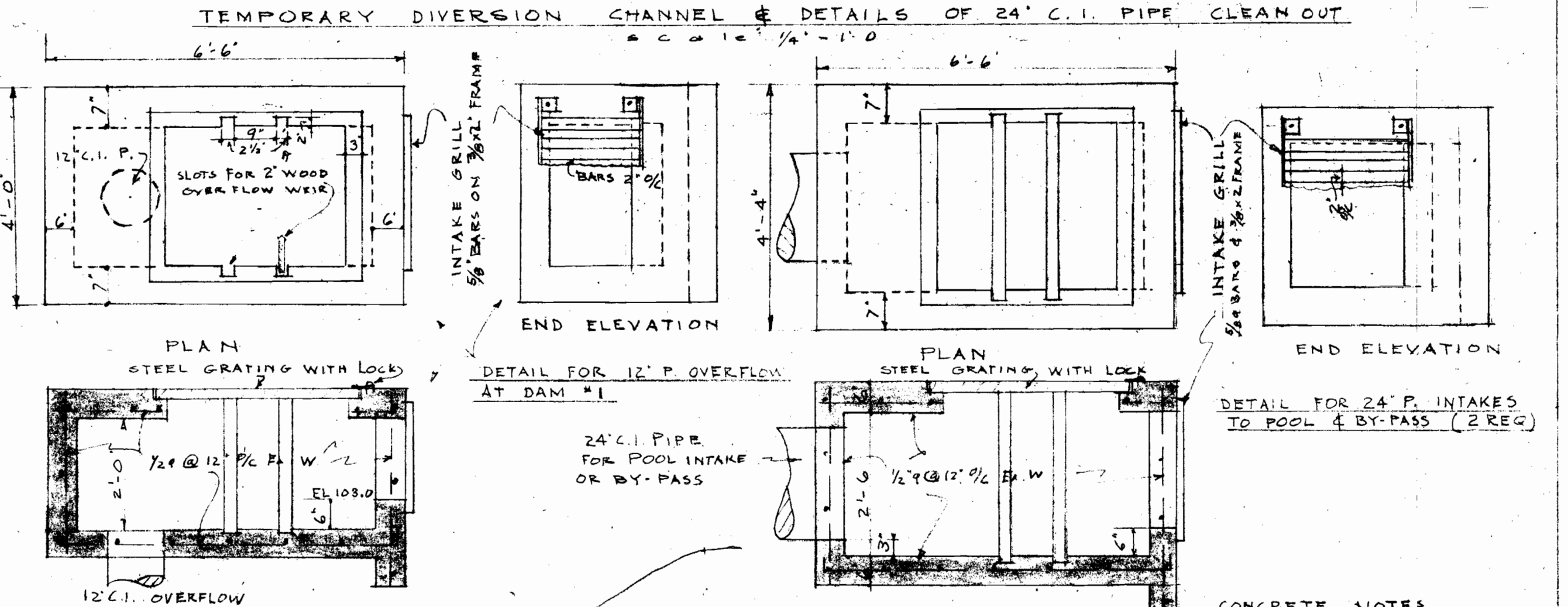
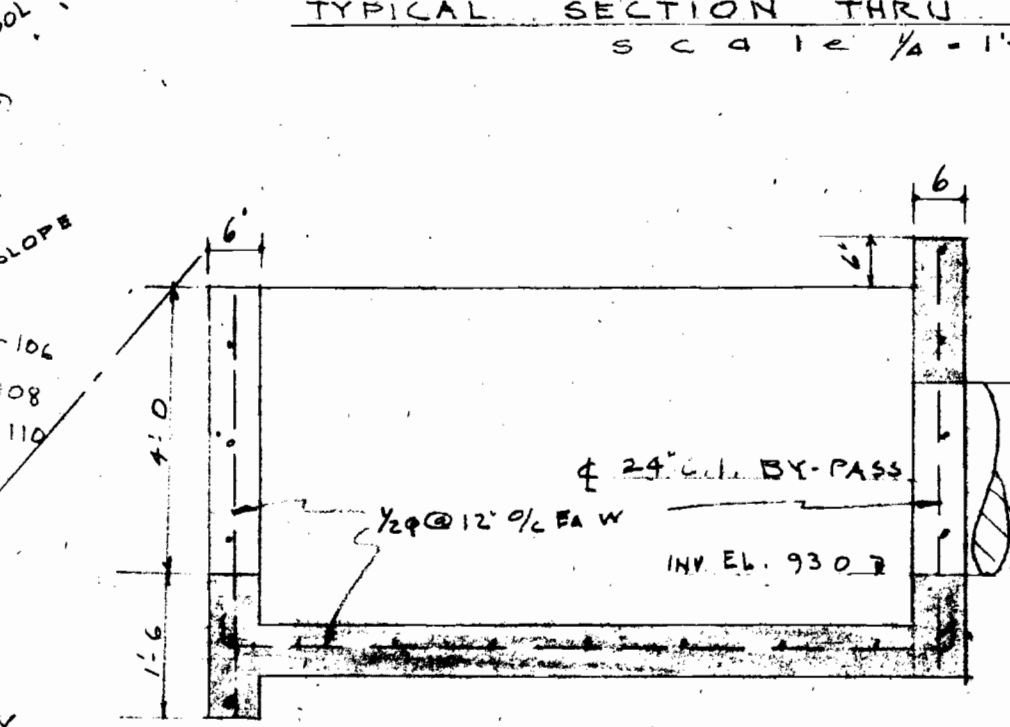
DAM NOTES
 DAM FOUNDATION MATERIAL CONSISTS OF IMPERVIOUS HARD PAN & CONGLOMERATE REMOVE ALL LOOSE & SHATTERED MATERIAL UNDER DAMS AND CLEAN OFF SURFACE AS DIRECTED BY ENGINEER
 PROVIDE MINIMUM KEYS UNDER CORE AS SHOWN. SHEAR VALUE CORE MATERIAL = 400 PSI
 ALL DAM MATERIAL SHALL BE PLACED IN LAYERS AS INDICATED AND COMPACTED AS DIRECTED BY ENGINEER
 CONTRACTOR SHALL FILL ELEVATIONS SLOPES & PIPE LENGTHS IN FIELD BEFORE STARTING FABRICATION



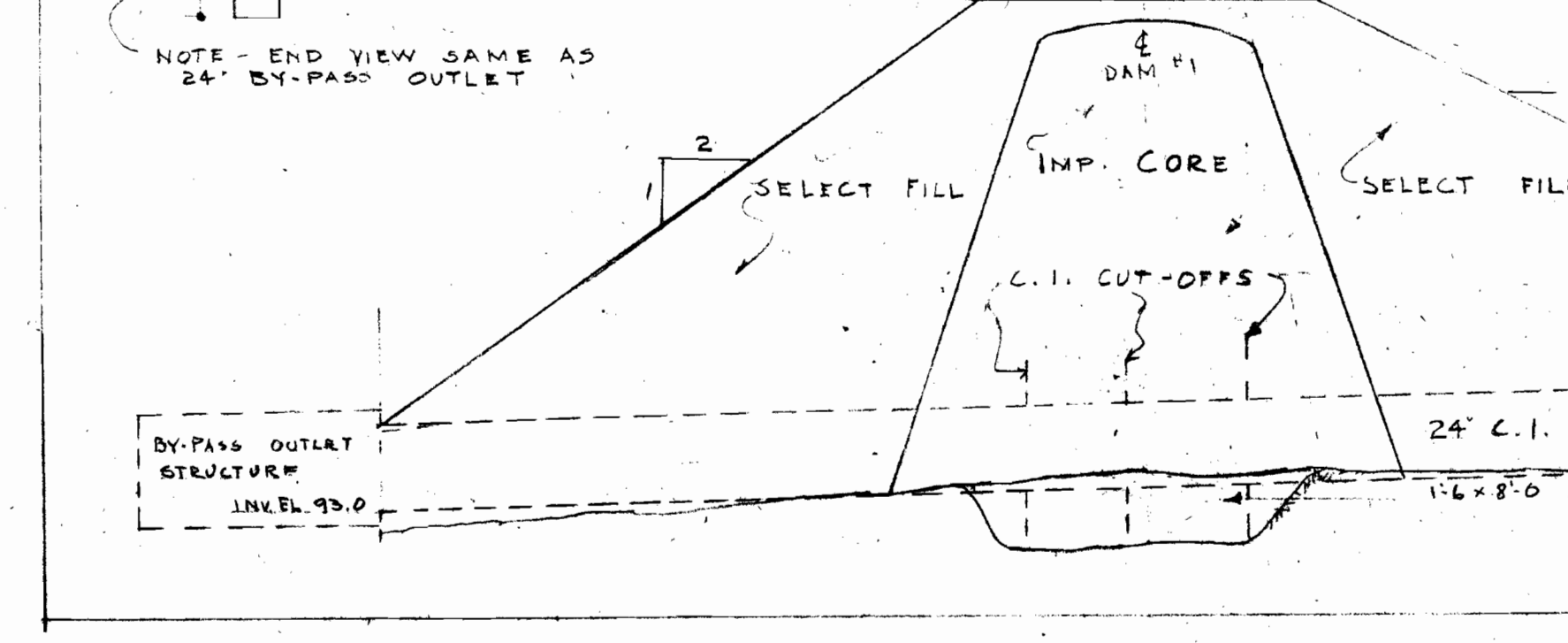
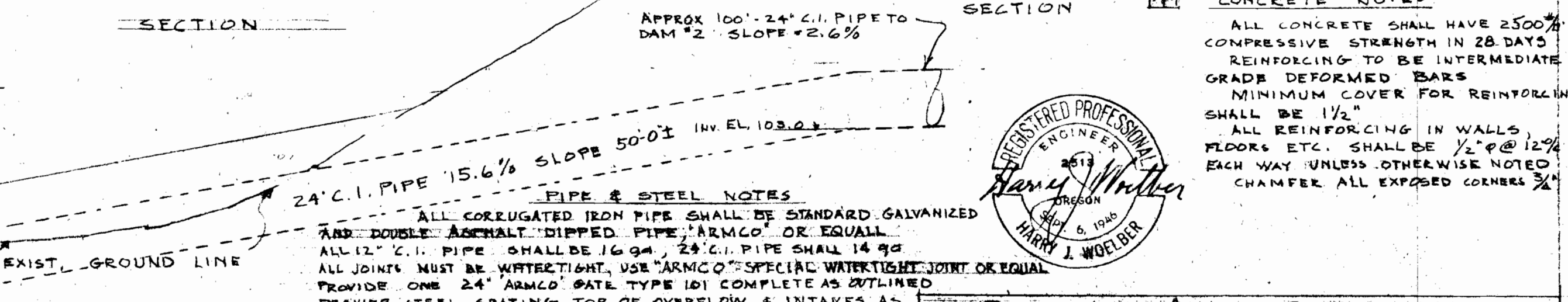
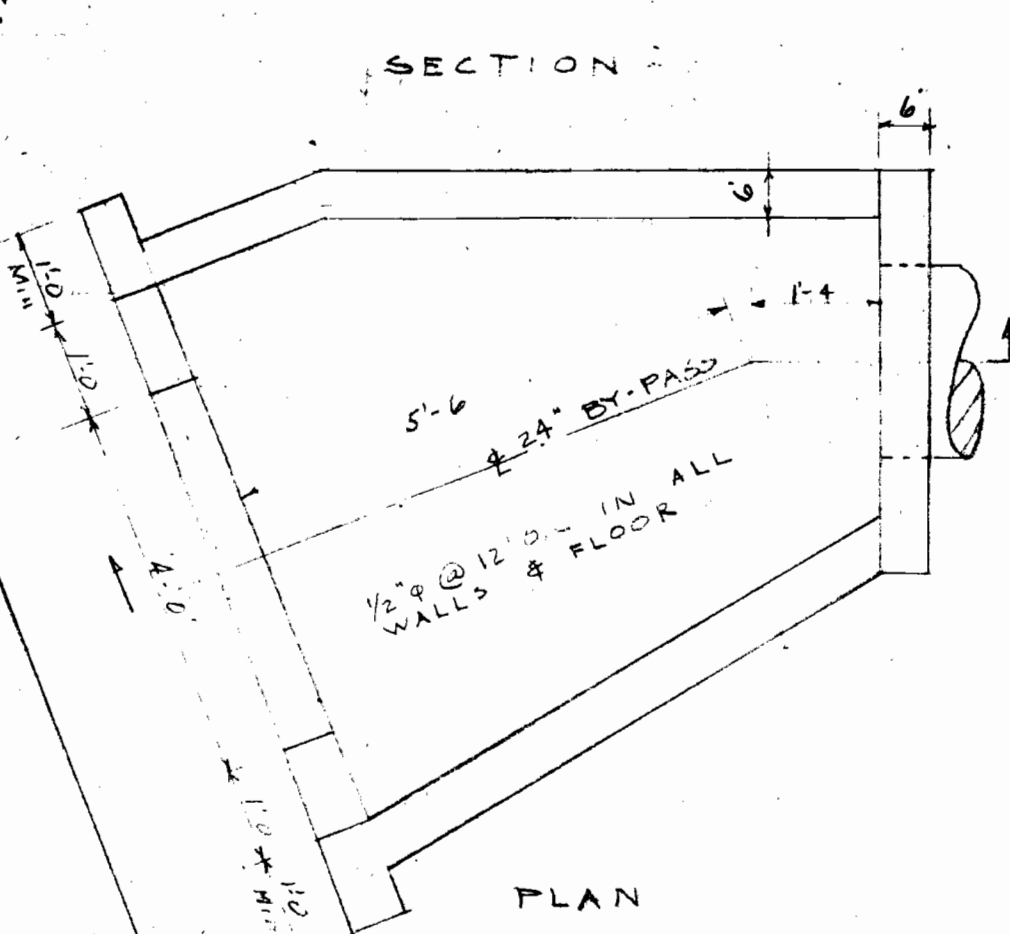
NOTES:
 ALL MATERIAL AROUND PIPES IN DAMS SHALL BE PLACED IN 6" LAYERS AND COMPACTED
 ALL TAMPING & COMPACTING METHODS SHALL BE APPROVED BY ENGINEER
 MATERIALS FOR CORE & SELECT FILL SHALL BE TAKEN FROM APPROVED BORROW PITS ONLY



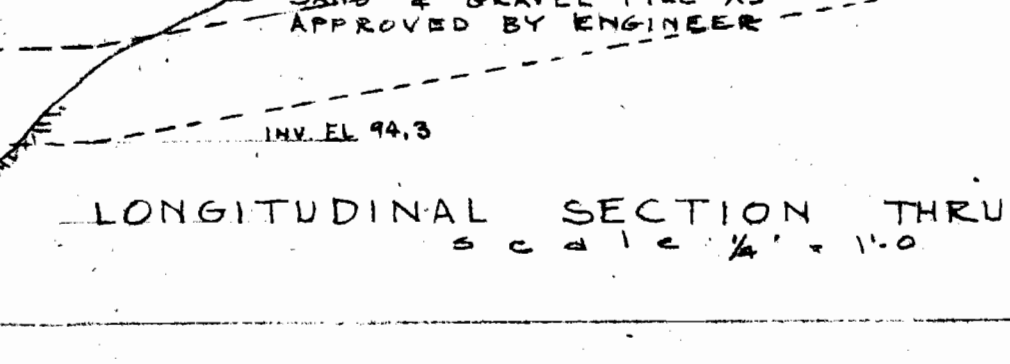
CONCRETE NOTES
 ALL CONCRETE SHALL HAVE 2500 PSI COMPRESSIVE STRENGTH IN 28 DAYS
 REINFORCING TO BE INTERMEDIATE GRADE DEFORMED BARS
 MINIMUM COVER FOR REINFORCING SHALL BE 1 1/2"
 ALL REINFORCING IN WALLS, FLOORS ETC. SHALL BE 1/2" @ 12" EACH WAY UNLESS OTHERWISE NOTED
 CHAMFER ALL EXPOSED CORNERS 3/4"



PIPE & STEEL NOTES
 ALL CORRUGATED IRON PIPE SHALL BE STANDARD GALVANIZED
 AND DOUBLE ASPHALT DIPPED PIPE (ARMCO) OR EQUAL
 ALL 24" C.I. PIPE SHALL BE 10 GA. 24" C.I. PIPE SHALL BE 14 GA
 ALL JOINTS MUST BE WATERTIGHT, USE "ARMCO" SPECIAL WATERTIGHT JOINT OR EQUAL
 PROVIDE ONE 24" ARMCO GATE TYPE IDI COMPLETE AS OUTLINED
 PROVIDE STEEL GRATING TOP OF OVERFLOW & INTAKES AS SHOWN WITH APPROVED LOCKING DEVICE
 PROVIDE INTAKE GRILLS AS SHOWN BOLTED TO CONCRETE
 ALL STEEL SHALL RECEIVE ONE SHOP COAT OF REPLEAD OIL AND ONE FIELD COAT
 CONTRACTOR SHALL SUBMIT PIPE AND STEEL DETAILS TO ENGINEER FOR APPROVAL BEFORE COMMENCING FABRICATION.



CONCRETE NOTES
 ALL CONCRETE SHALL HAVE 2500 PSI COMPRESSIVE STRENGTH IN 28 DAYS
 REINFORCING TO BE INTERMEDIATE GRADE DEFORMED BARS
 MINIMUM COVER FOR REINFORCING SHALL BE 1 1/2"
 ALL REINFORCING IN WALLS, FLOORS ETC. SHALL BE 1/2" @ 12" EACH WAY UNLESS OTHERWISE NOTED
 CHAMFER ALL EXPOSED CORNERS 3/4"



PORTLAND AREA COUNCIL
BOY SCOUTS OF AMERICA
SWIMMING POOL AT CAMP CLARK
EMERIWETHER RESERVATION
HARRY J. WOELBER CONSULTING ENGINEER
 307 MCKAY BLDG. PORTLAND, ORE.
 MAY - 1955 MADE BY - H.J.W. SHEET #1 OF 1 SHEETS



For location see location map in secondary folder App. No. 3001.