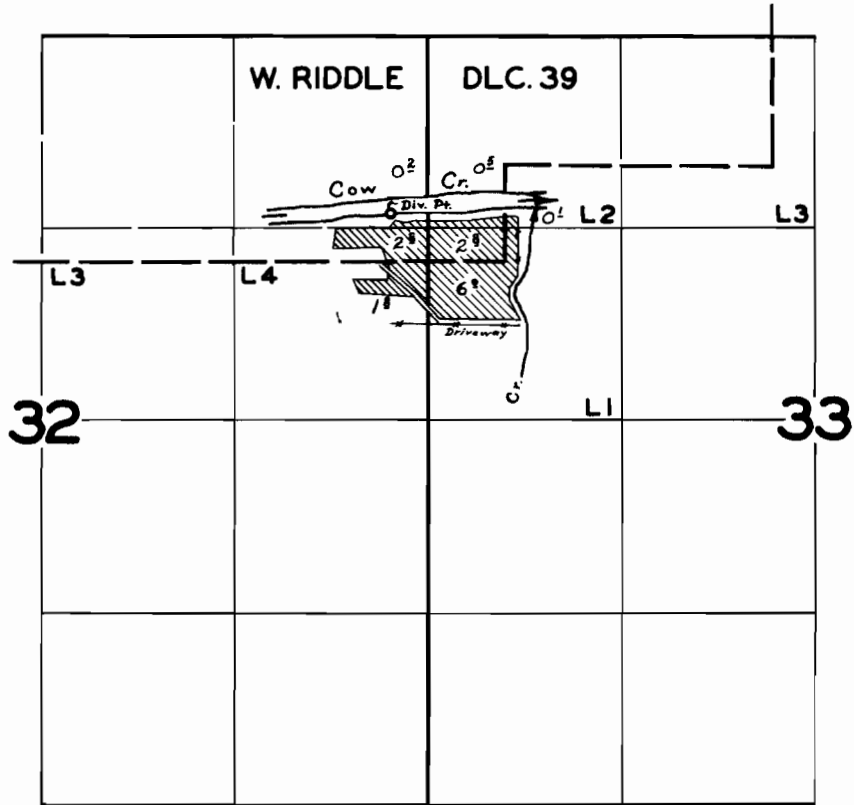


T. 30S. R. 6W. W.M.



**FINAL PROOF SURVEY**  
UNDER

Application No. 32616 Permit No. 25786  
IN NAME OF

JOHN H. SHURTZ

Surveyed JUN. 20 1959, by M. BISH