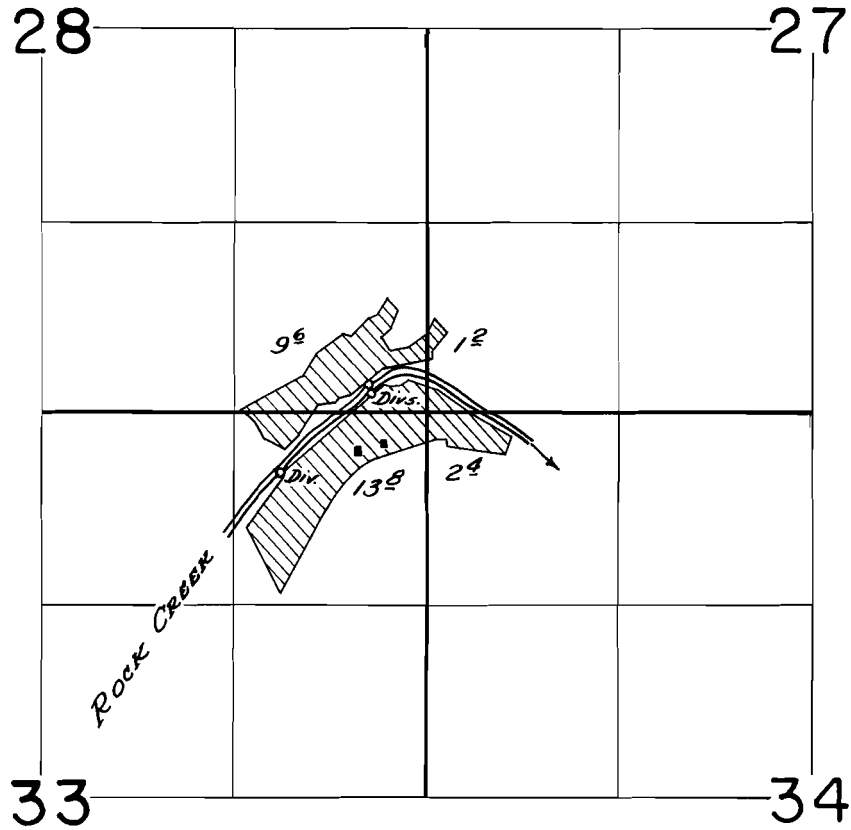


T.5N.R.5W.W.M.



FINAL PROOF SURVEY
UNDER

Application No. 27596... Permit No. 21741.....
IN NAME OF

.....HERBERT COUNTS.....

Surveyed July 20, 1960, by C.O. Bartels.....