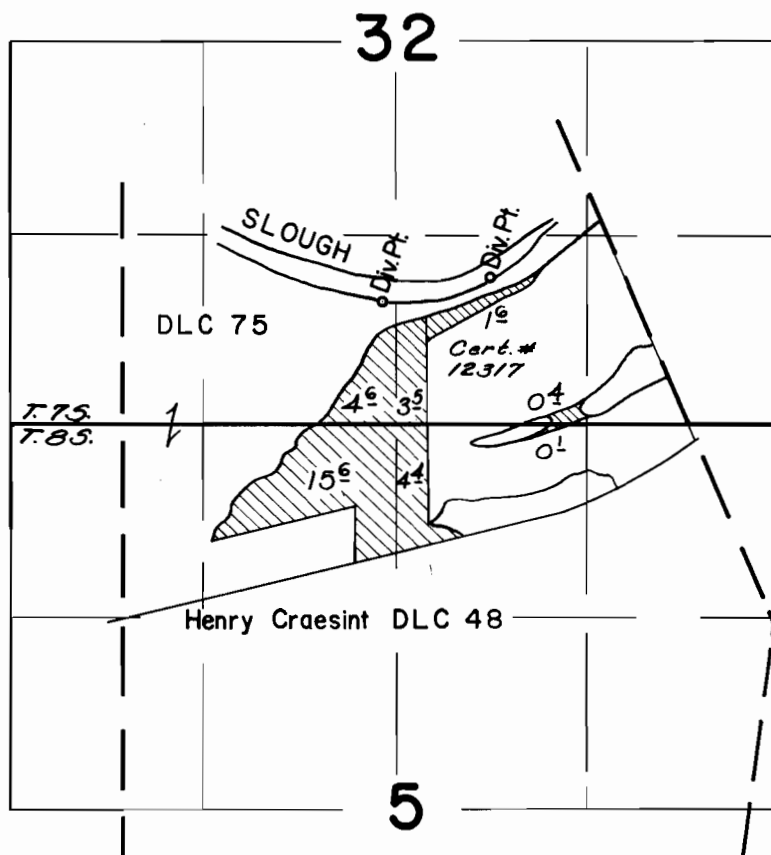


T. 7 & 8 S. R. 3 W. W.M.



**FINAL PROOF SURVEY**  
UNDER

Application No. 31183 Permit No. 24604  
IN NAME OF

J. F. SHORT

Surveyed Aug. 8, 1960, by C. O. Barlett