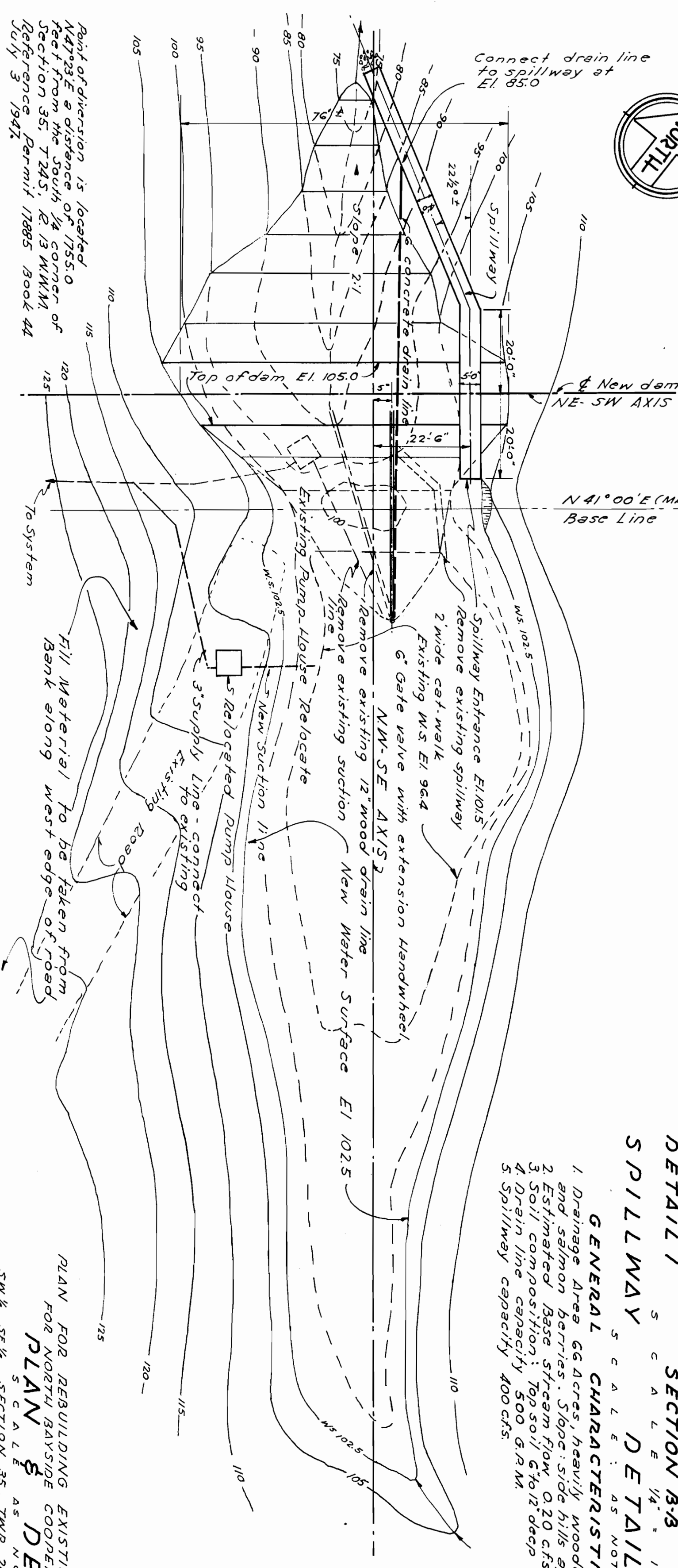
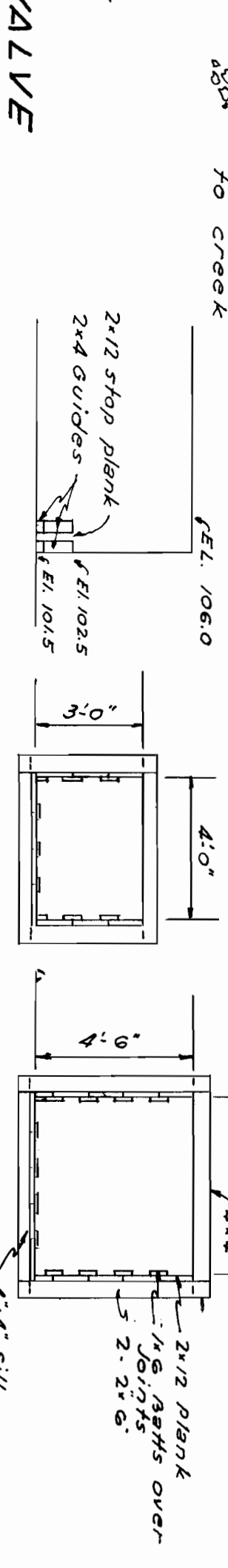
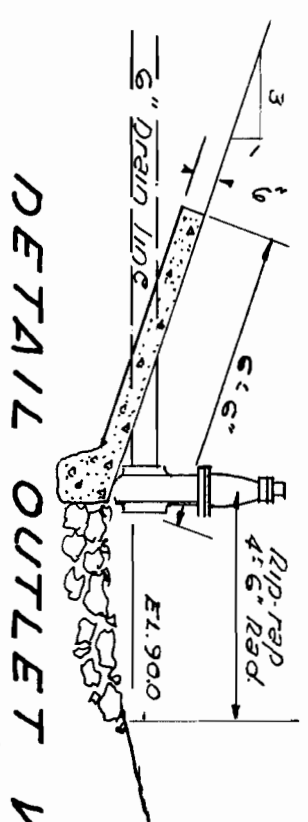
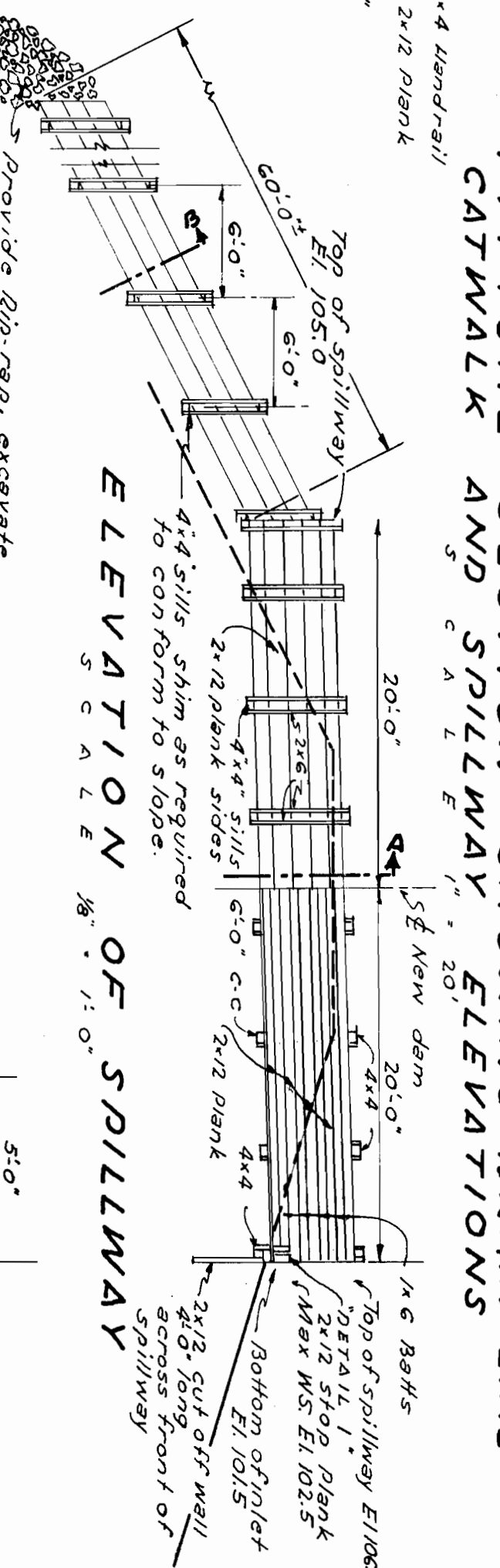
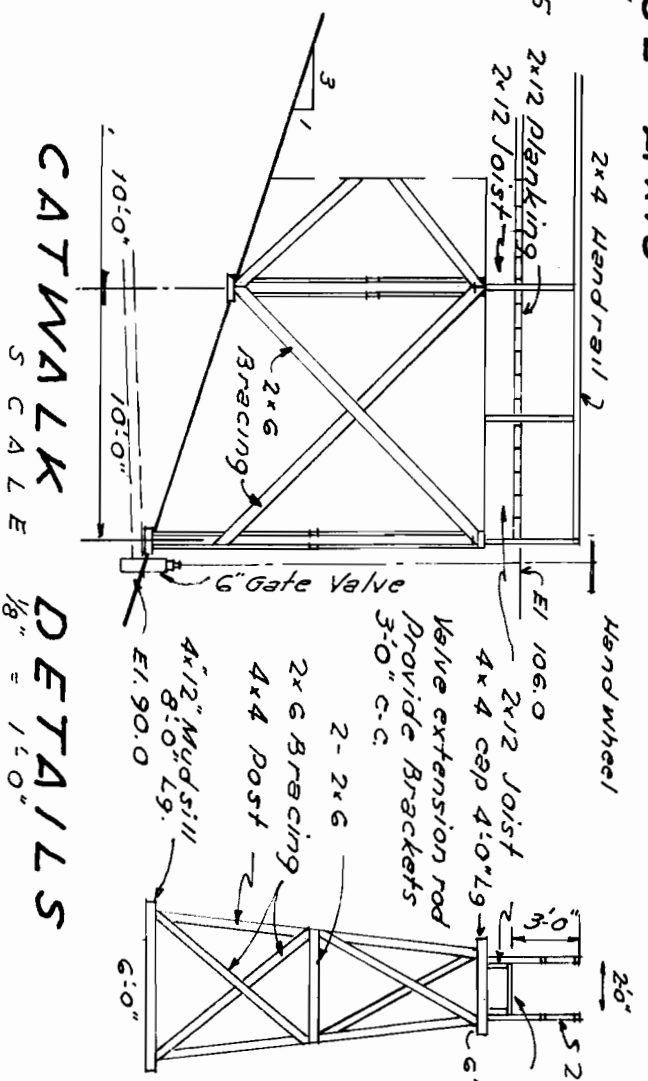


CAPACITY CURVE



- GENERAL CHARACTERISTICS**
1. Drainage Area 66 Acres, heavily wooded, mostly alders, fir, ferns and salmon berries. Slope: side hills approx 360 feet per 1000 feet
  2. Estimated Base stream flow 0.20 cfs. (132,000 gallons per day)
  3. Soil composition: Top soil 6 to 12 deep remainder sandy clay.
  4. Drain line capacity 500 G.P.M.
  5. Spillway capacity 400 cfs.

APPROVED: *James L. Blumley*  
*By: Harold R. Erickson*

PLAN FOR REBUILDING EXISTING WATER STORAGE RESERVOIR FOR NORTH BAYSIDE COOPERATIVE WATER DISTRICT  
**PLAN & DETAILS**  
 SCALE: SECTION 35, TWP. 24 SOUTH, RANGE 13 W.W.M. AS NOTED  
 DRAWN: E.W. RILEY  
 CONSULTING ENGINEER JANUARY 1957.  
 COOS BAY OREGON.