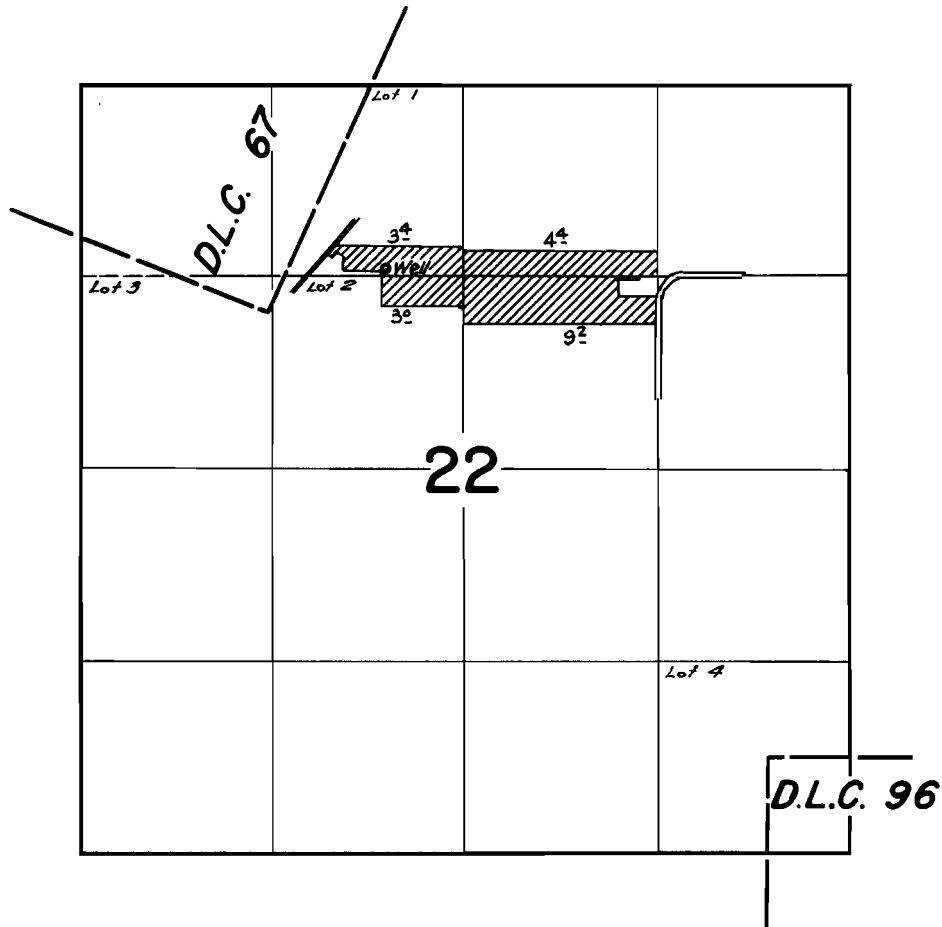


T.6S.R.2W.W.M.



FINAL PROOF SURVEY
UNDER

Application No. ~~G-1997~~ Permit No. ~~G-1835~~...
IN NAME OF

J. W. BURR

Surveyed March 20 1962, by *R. Jackson*