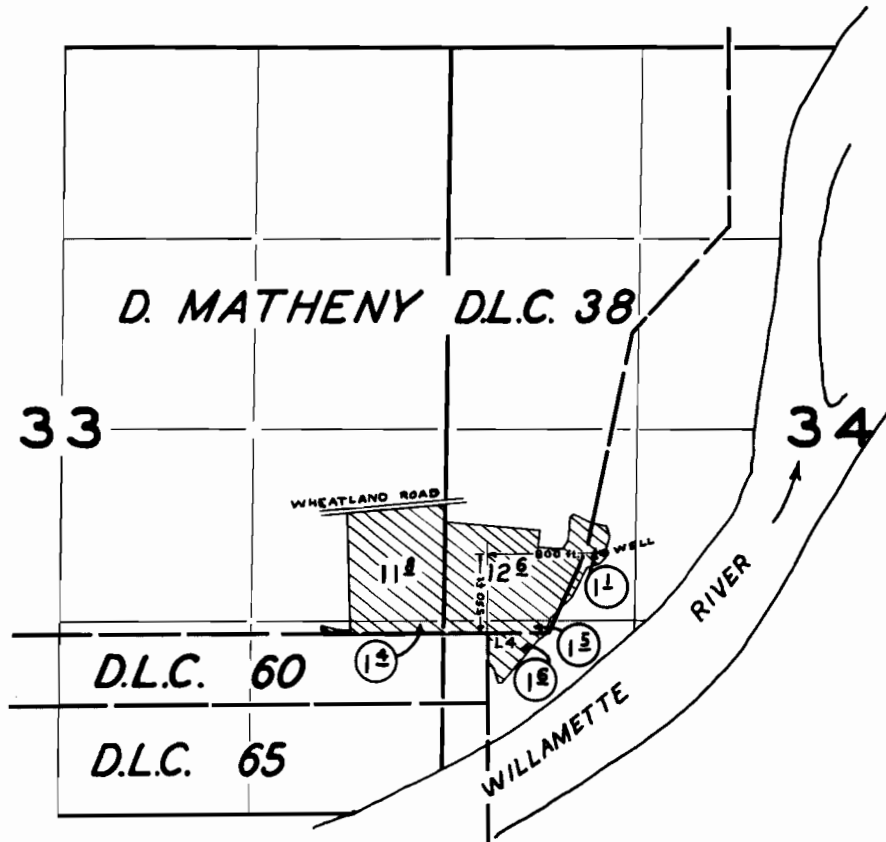


T.5S.R.3 W.W.M.



FINAL PROOF SURVEY
UNDER

Application No. G-2736 Permit No. G-2536
IN NAME OF

F. EUGENE STOCKHOFF

Surveyed *Aug. 4* 1964, by *R. JACKSON*