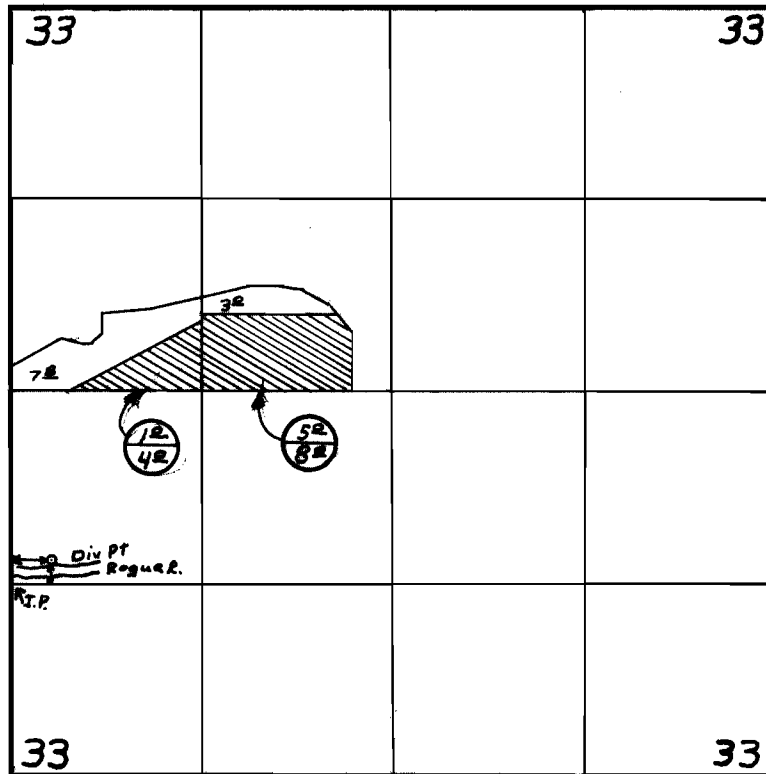


T.33S.R.1E.W.M.



Div Pt located 170ft N + 280ft E from S.W. Cor. of NW 1/4 of SW 1/4 of Sec 33

← This Permit
← Cert. # 15827

FINAL PROOF SURVEY UNDER

Application No. 38537 Permit No. 28675
IN NAME OF

George W. Pearson

Surveyed May 18 1967, by W. J. Ruppert