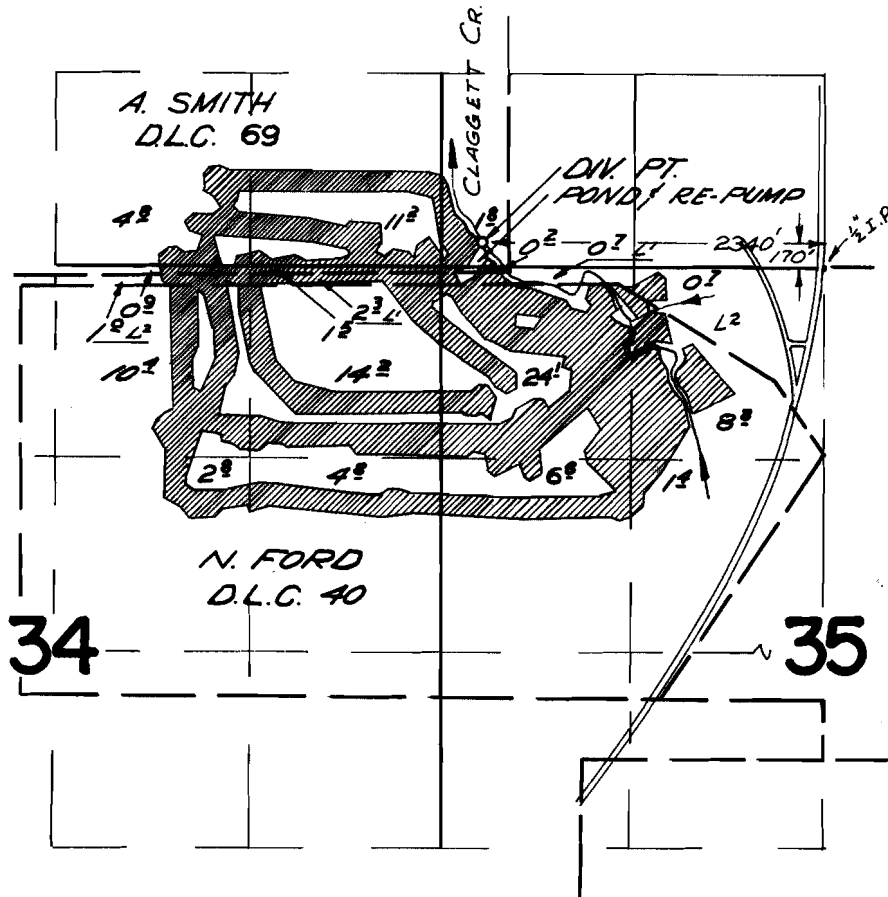


T.6S. R.3W. W.M.

27

26



FINAL PROOF SURVEY UNDER

Application No. 40646 Permit No. 30279
IN NAME OF

CASCADE LAND and INVESTMENT CORPORATION

Surveyed Sept. 9, 1966, by V. GARNER.