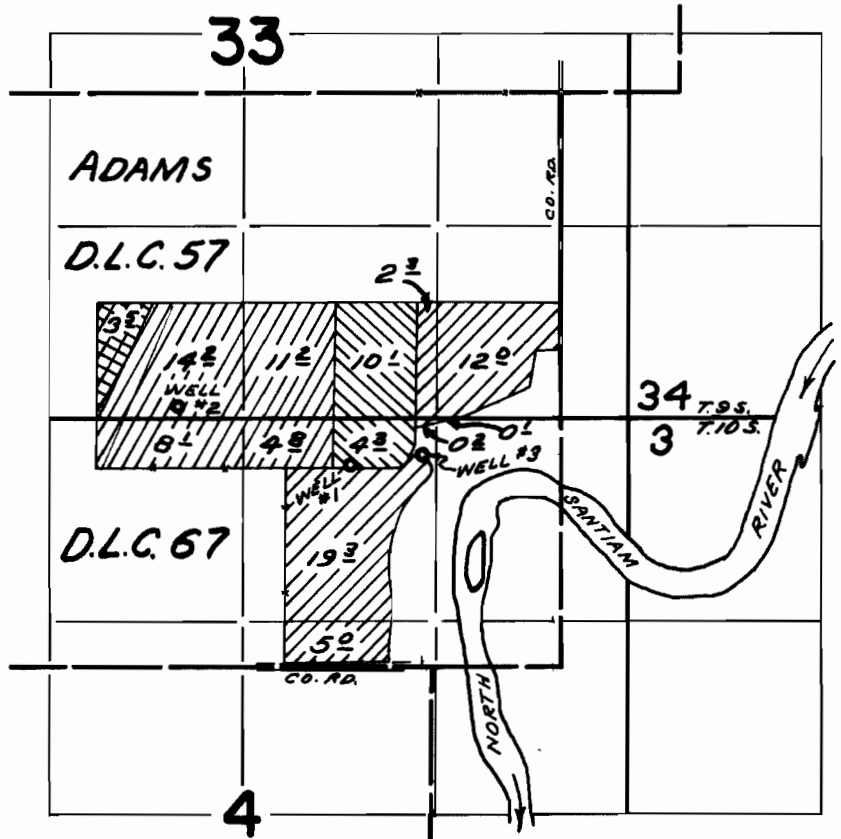






T.9&10S.R.2W.W.M.



-  WELL #1
-  WELL #2
-  WELL #3
-  SUPPLEMENTAL TO CERT. 29924

WELLS LOCATED: 2560'S. & 1450'W., 2150'S. & 2620'W., 2490'S. & 850'W.; ALL FROM NE COR. ADAMS D.L.C. 57

FINAL PROOF SURVEY UNDER

Application No. G-3703 Permit No. G-3451
IN NAME OF

BYRON C. GAVETTE

Surveyed JUL. 26, 1968, by V. GARNER