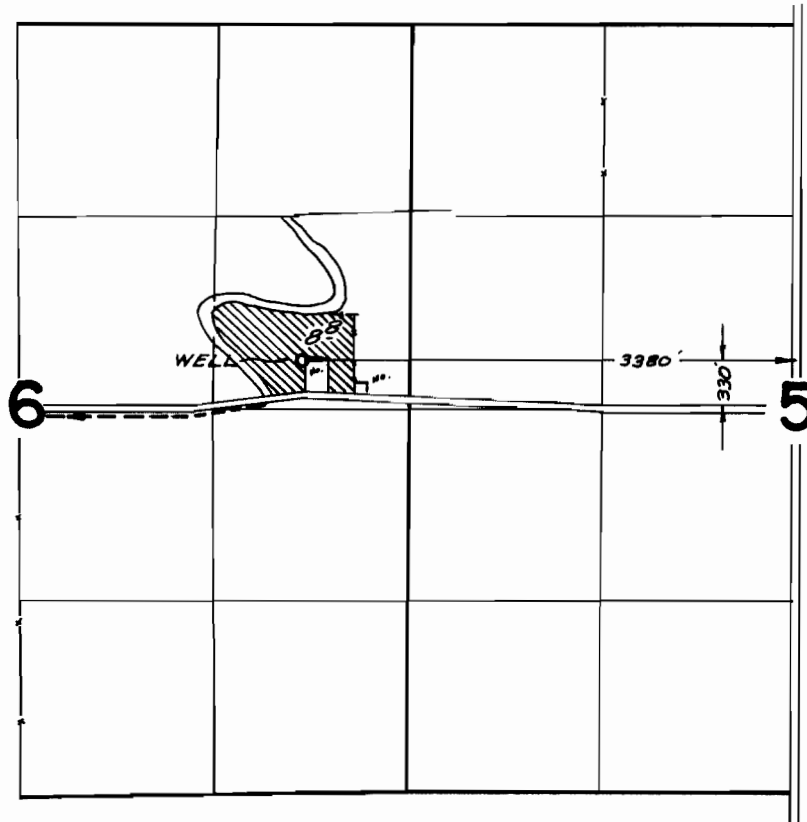


T.3 S. R. 39 E. W.M.



**FINAL PROOF SURVEY**  
UNDER

Application No. G-3880 Permit No. G-3867  
IN NAME OF

STANLEY WEISHAAR

Surveyed Aug. 22, 1968, by V. Garner