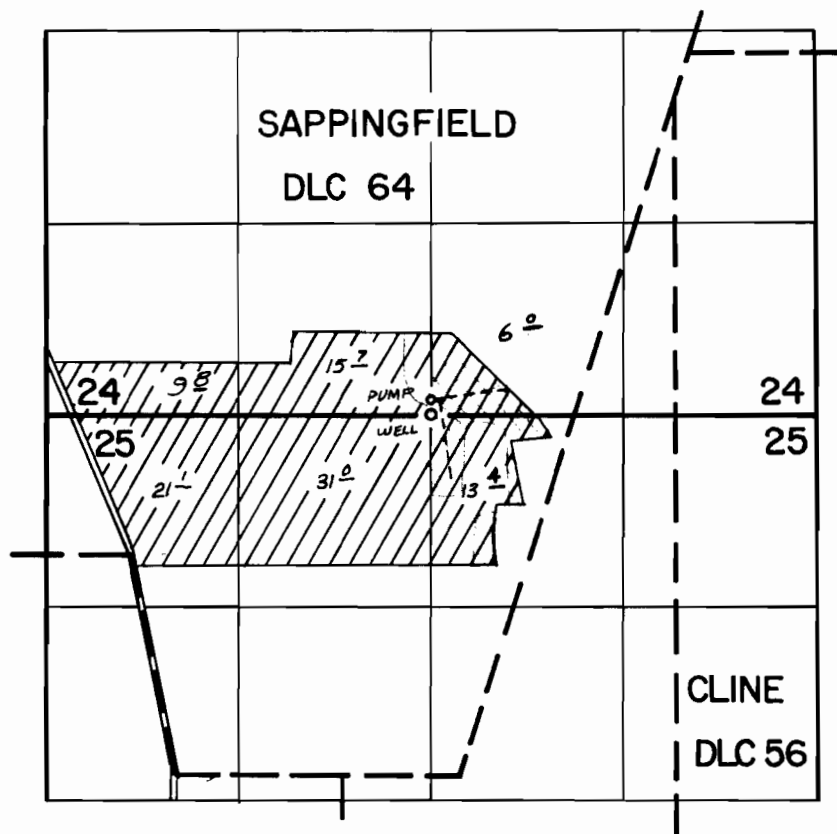


T.7 S.R.2W. W.M.



FINAL PROOF SURVEY UNDER

Application No. G-4090 Permit No. G-3841
IN NAME OF

CLARENCE SIMMONS JR.

Surveyed JUNE 18 1973, by T.J. PAUL