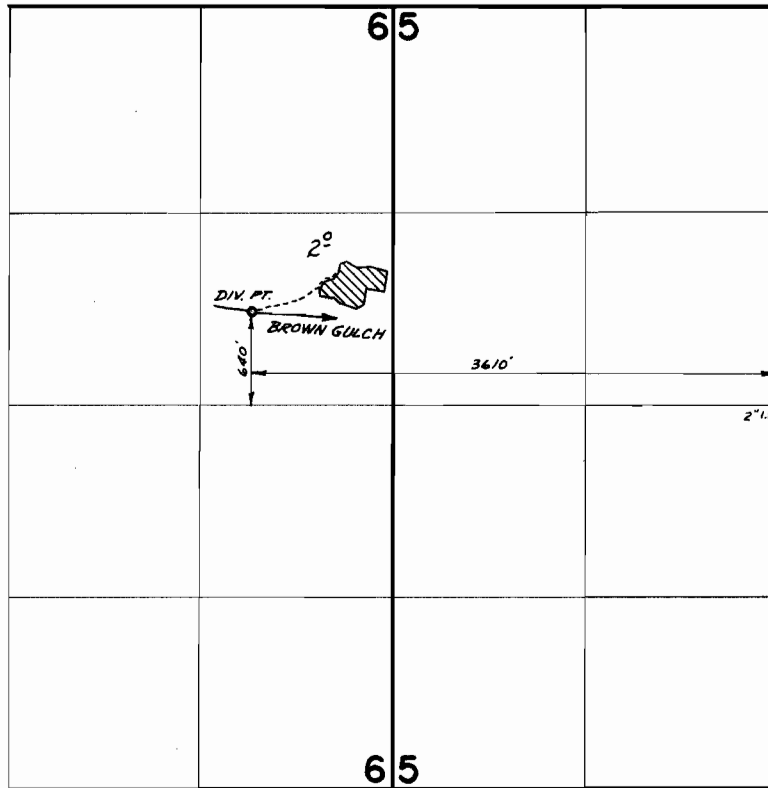


T.35S., R.4W., W.M.



**FINAL PROOF SURVEY**  
UNDER

Application No. 49896 Permit No. 37549  
IN NAME OF

QUINTEN H. AND/OR DyANN D. CLARK

Surveyed Aug. 28 1975, by D. Norby