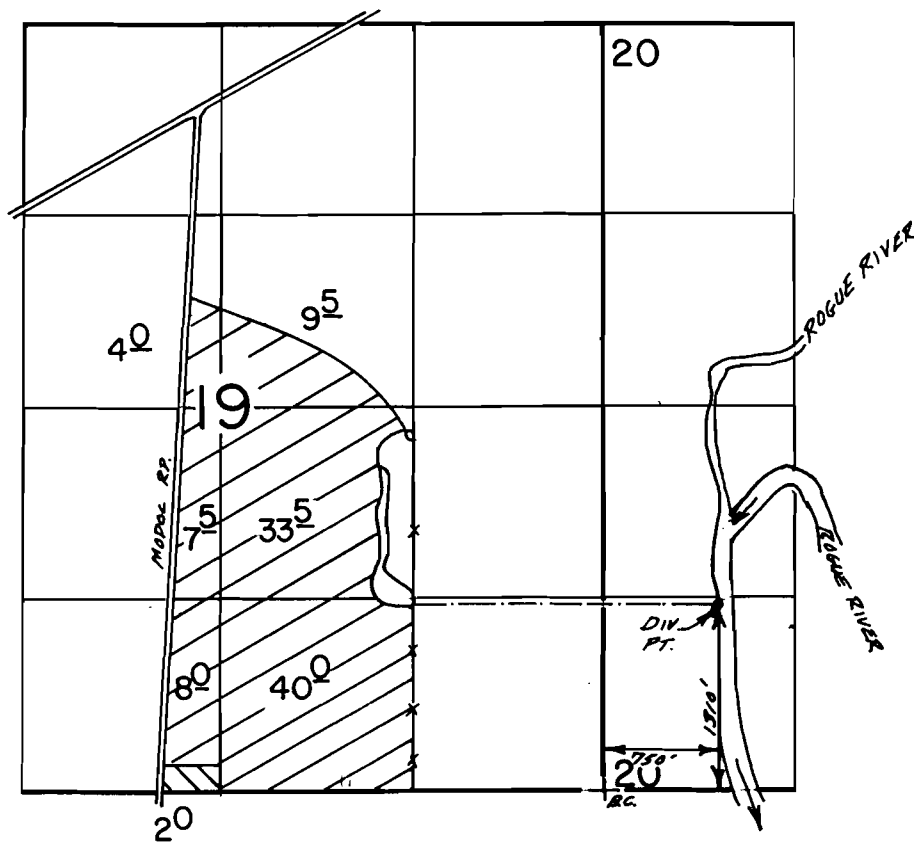




T. 35 S., R. 1 W., W. M.



 T-4088

Scale 1" = 1320'

 T-4087

FINAL PROOF SURVEY
UNDER

Application No. Permit No. 22885..
IN NAME OF

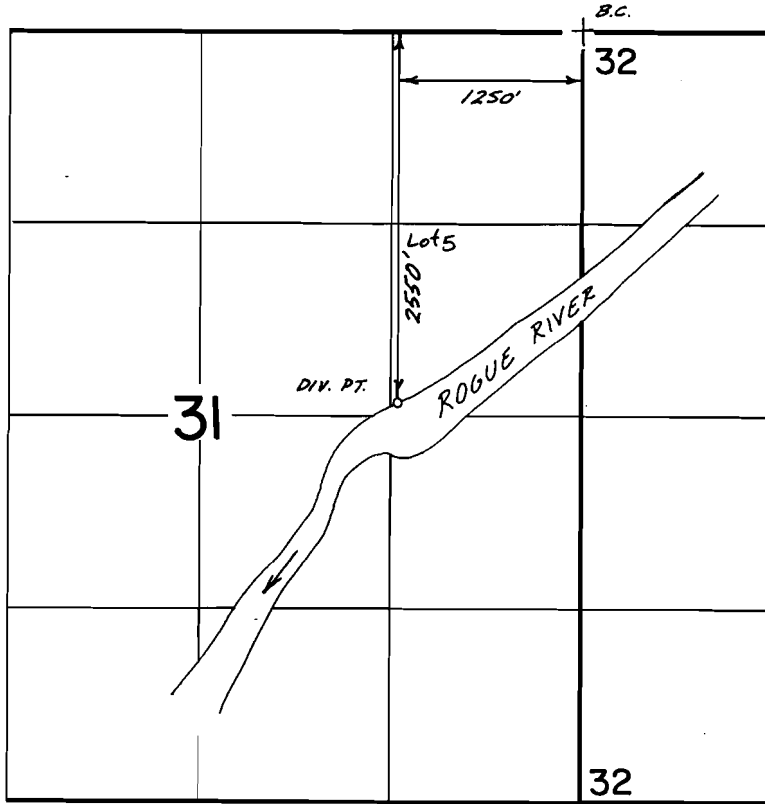
9600 T-4088 C.76436

.....TONY.....JELINCICH.....

Surveyed FEB. 9, 1994, by S. JAMES.....

Appl. 13351
Permit 9600
Cert. 54482
Find in Basin 15-Vol. 1
Rogue River
Pl. 3-29-30

T. 35 S., R. 1 W., W.M.



Scale 1" = 1320'

FINAL PROOF SURVEY UNDER

Transfer No. 3749

Application No. 13351 Permit No. 9600

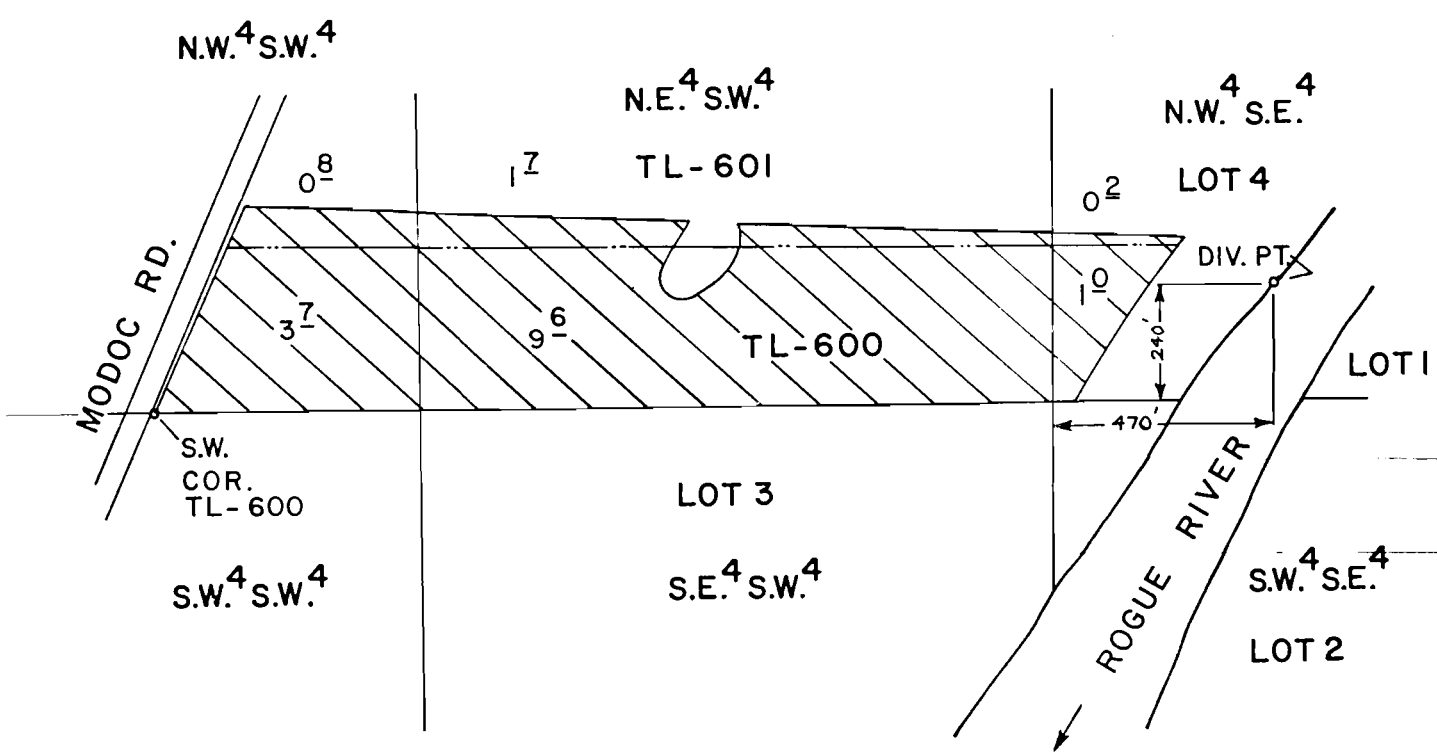
IN NAME OF

.....R. B. BEWLEY.....

Surveyed Nov. 19... 1985, by B.S. JAMES.....

T. 35 S., R. 1 W., W. M.

SEC. 31



SCALE : 1" = 400 FT.

FINAL PROOF SURVEY UNDER

Transfer No. A-44
Application No. Permit No.
IN NAME OF

WILLIAM L. MILLER & T. B. WILKINS

Surveyed DEC. 13 19 79 by B. SUND

D.H.M.
PHOTO: 49(E.P.I.D.)

Appl. 13351

P. 9600

Permit 9600

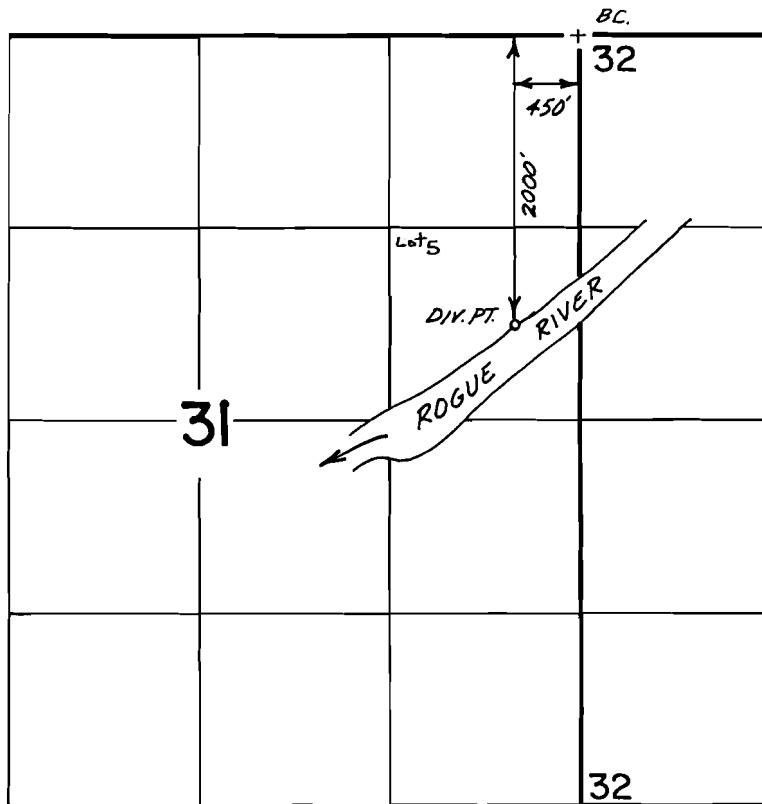
Cont. 54483

Pr. 3-29-30

Find in: Basin 15-Vol. 1

Rogue River

T. 35S., R. 1W., W.M.



Scale 1"=1320'

FINAL PROOF SURVEY UNDER

Transfer No. 3810

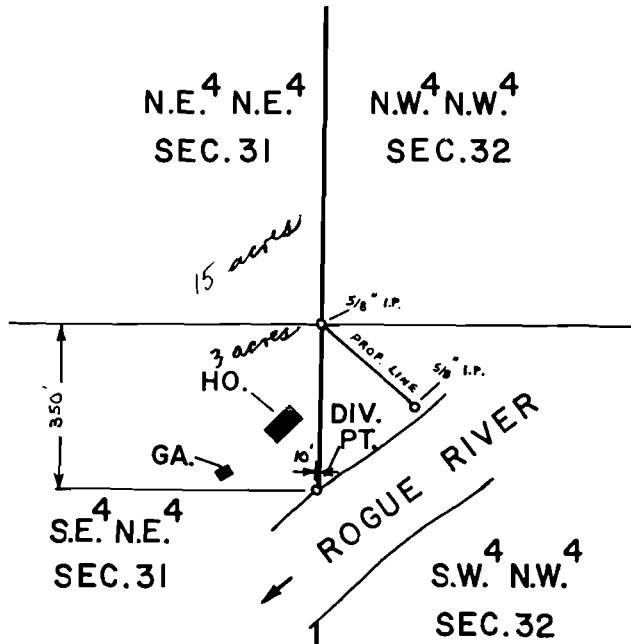
Application No. Permit No. 9600

IN NAME OF

ROBERT J. & JANICE S. MORRIS

Surveyed Nov. 19, 1985, by B.S. JAMES

T. 35 S., R. 1 W., W.M.



SCALE: 1" = 400 FT.

FINAL PROOF SURVEY
UNDER

Transfer No. 3475 - CIPOD for 18 acres only - Cert. 49686
Application No. 13351 Permit No. 9600
IN NAME OF

LEON BROWN

Surveyed JUN. 22 19 79, by B. SJND

D.H.M.
P.T.S. - 1979-14-C

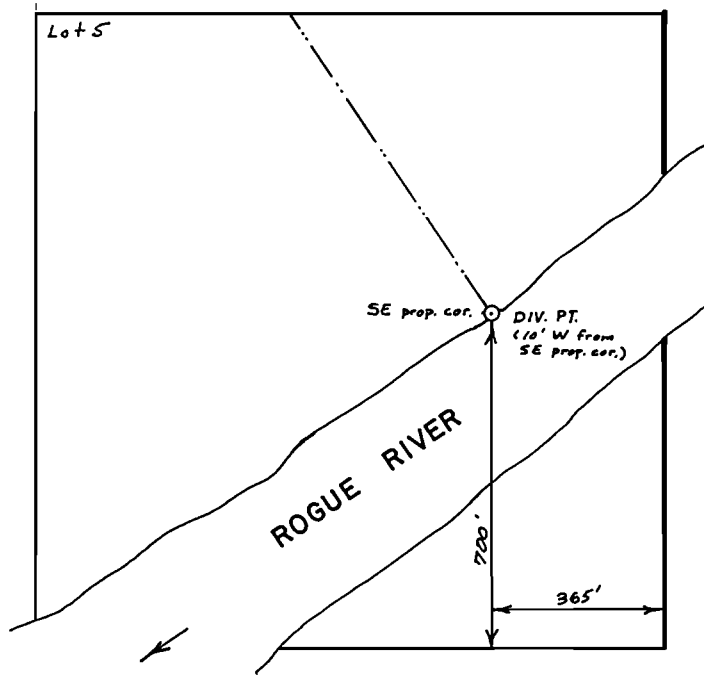
Appl. 13351
Permit 9600
Cert. 54921
Pr. 3-29-30
Find in: Basin 15-Vol. 1
Rogue River

P. 9600

T. 35S., R. 1W., W.M.

Sec. 31

SE 1/4 NE 1/4



Scale 1" = 400'

FINAL PROOF SURVEY
UNDER

Transfer no. 3811

Application No. 13351 Permit No. 9600
IN NAME OF

MARILYN M. & WILLIAM J. DOLAN Jr.

Surveyed Dec. 7, 1979, by B.R. SUND

photo: 49 (EPID)

B.S.J.

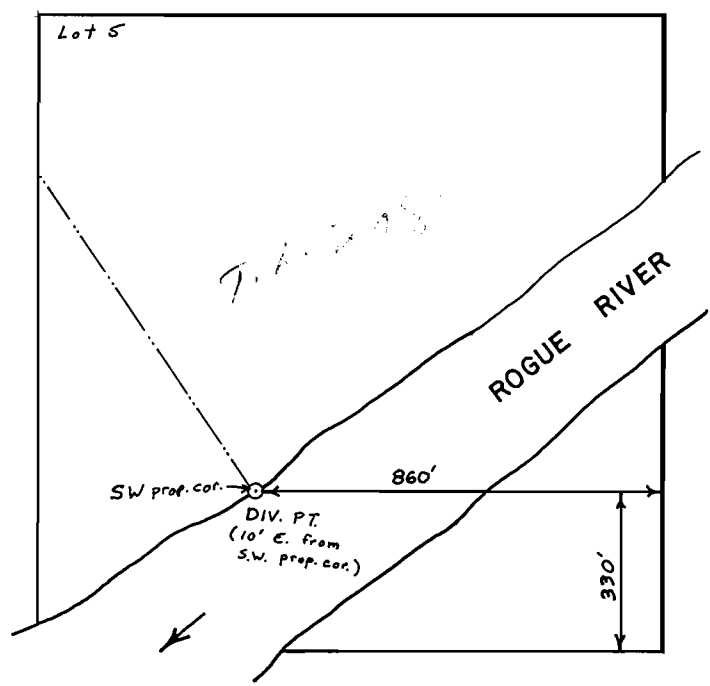
Appl. 13351
Permit 9600
Cert. 54484
Pr. 3-~~30~~²⁹-30

Find in: Basin 15-Vol. 1
Rogue River

T. 35 S., R. 1 W., W.M.

Sec. 31

SE 1/4 NE 1/4



Scale : 1" = 400'

FINAL PROOF SURVEY UNDER

Transfer no. 3763

Application No. Permit No. 9600
IN NAME OF

...RONALD...E...&...LINDA...G...HARRIS

Surveyed Dec. 7, 1979, by B.R. SUND.....