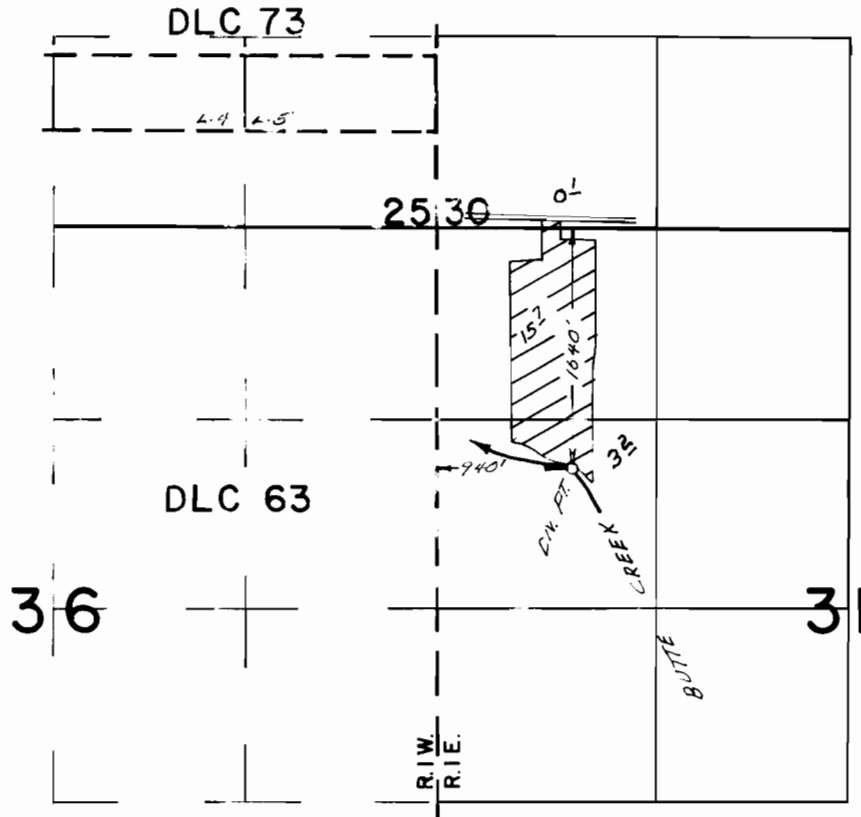


T.5S. R.IW.&IE. W.M.



**FINAL PROOF SURVEY**  
UNDER

Application No. 52179 Permit No. 39290  
IN NAME OF

THOMAS D. TWEED

Surveyed MAY 18 1977, by L.E. GOULD