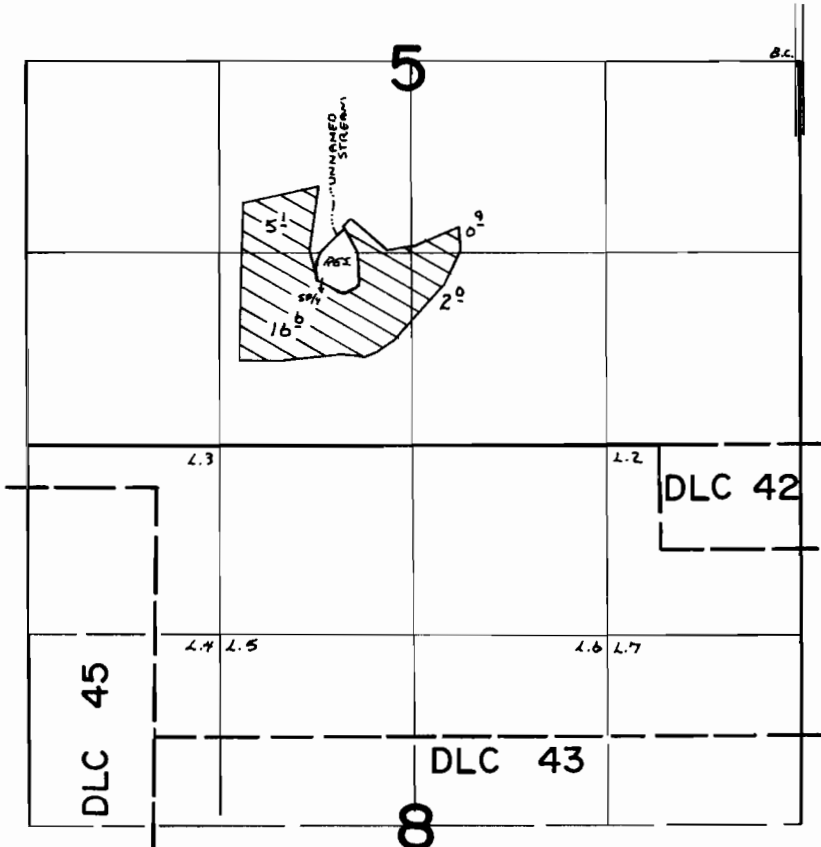


T.8S.,R.IE.,W.M.

Handwritten notes:
 11/20/75
 T.8S. R.1E. W.M.
 Sec. 5-4-25



DAM LOC: 1600' S AND 3140' W FROM E 1/4 COR SEC. 5

FINAL PROOF SURVEY UNDER

Application No. R-46524 46525 Permit No. R-5548 34759
 IN NAME OF

GOLDIE MARCOTT

Surveyed MAY 31 1974, by L. H. NUNN
SEPT. 2 1975 L. TOLL