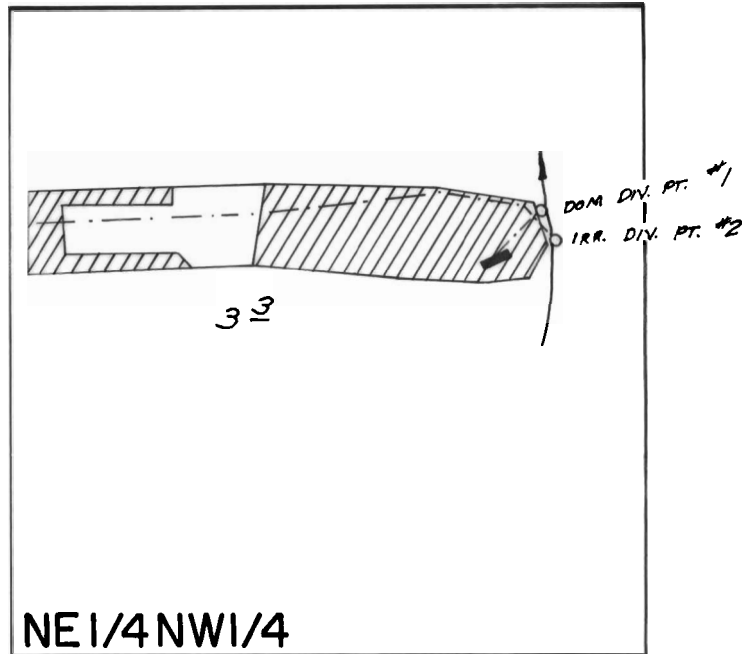


T. 6 S., R. 8 W., W.M.



SECTION 23

*Div. Pts. Loc.: #1 - 400' S. + 220' W.; #2 - 450' S. + 180' W.
both from N 1/4 Cor. Sec. 23*

SCALE 1" = 400'

FINAL PROOF SURVEY UNDER

Application No. 47263 Permit No. 35398
IN NAME OF

JUDITH ANN BURNS

Surveyed May 13, 1976, by L. H. Nunn

PTS-1976-P *JCB*