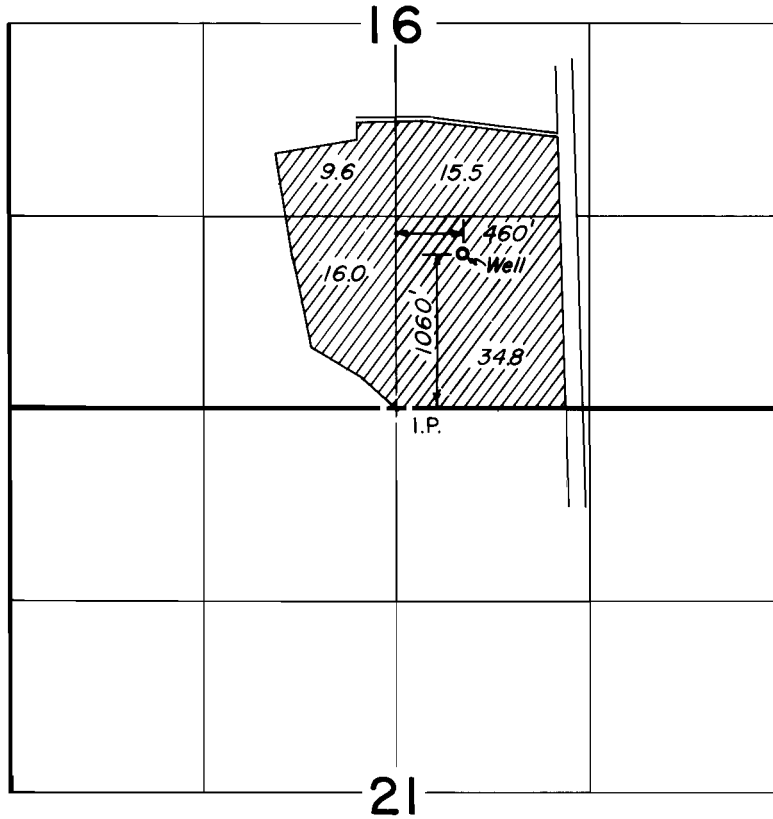


T. 36 S., R. 33 E., W.M.



FINAL PROOF SURVEY UNDER

Application No. G-5077 Permit No. G-4793
IN NAME OF

G.R. & P.E. FRAZIER

Surveyed AUG. 26, 1978, by R.G. MUCKEN

1978-Z *df*