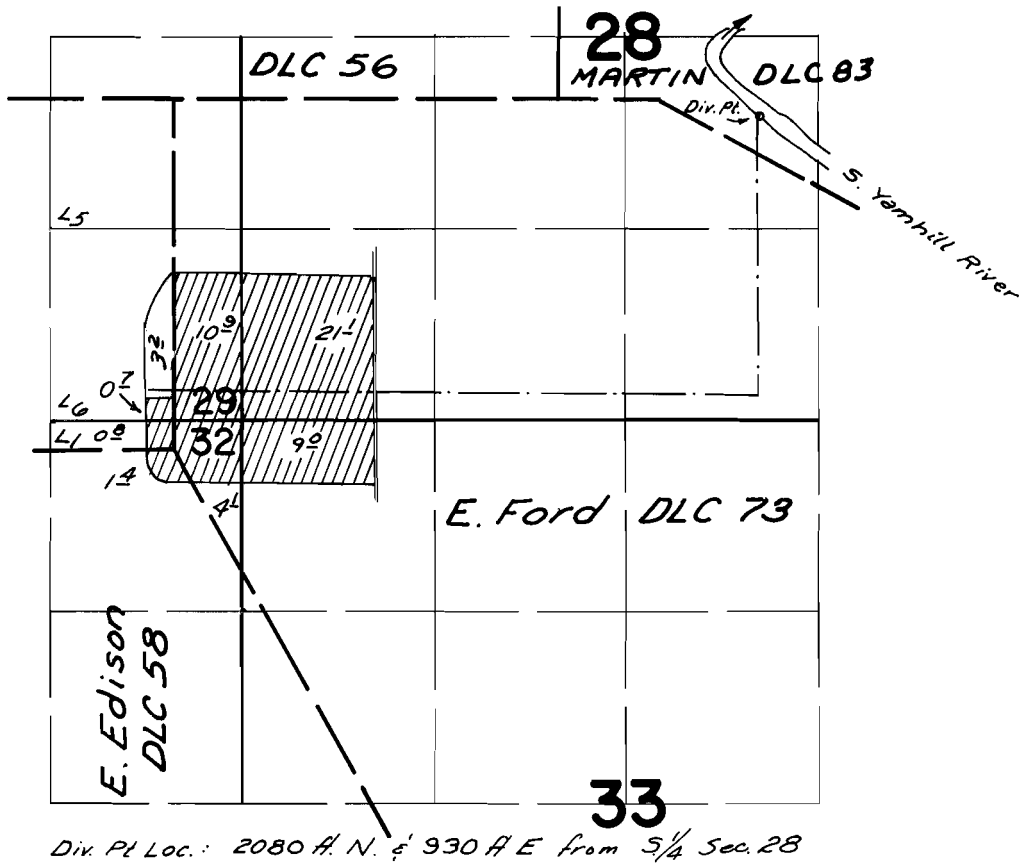


# T.4 S., R.4 W., W.M.



## FINAL PROOF SURVEY UNDER

Application No. 50473 Permit No. 38120  
IN NAME OF

Herbert C. Coleman

Surveyed Apr. 1, 1976, by L. H. Nunn