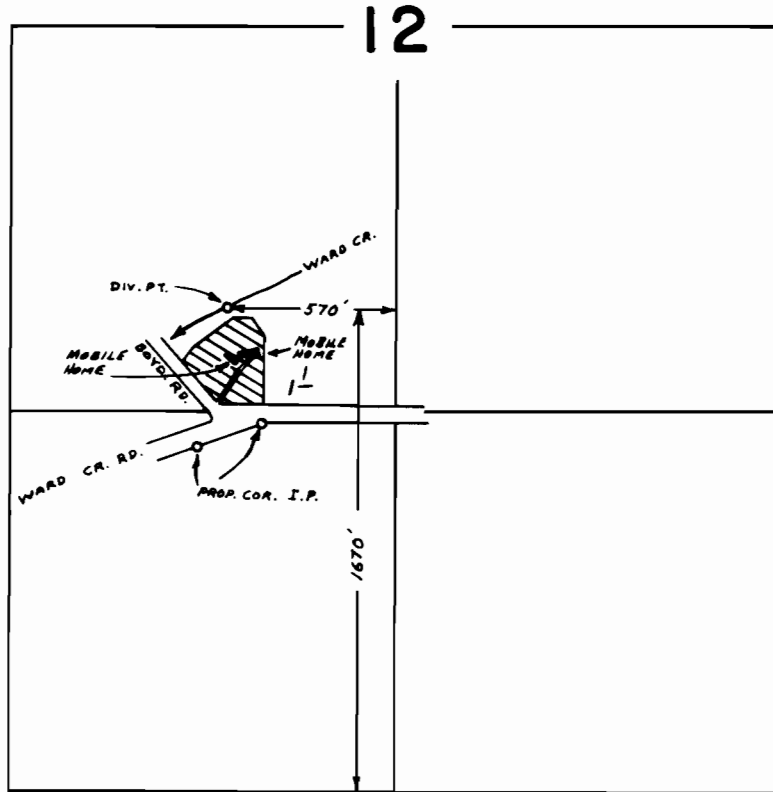


T.36 S., R.4 W., W.M.



SCALE : 1" = 660 FT.

FINAL PROOF SURVEY UNDER

Application No. 53767 Permit No. 40375
IN NAME OF

ESTHER V. BURNHAM

Surveyed NOV. 7 1978, by B. SUND