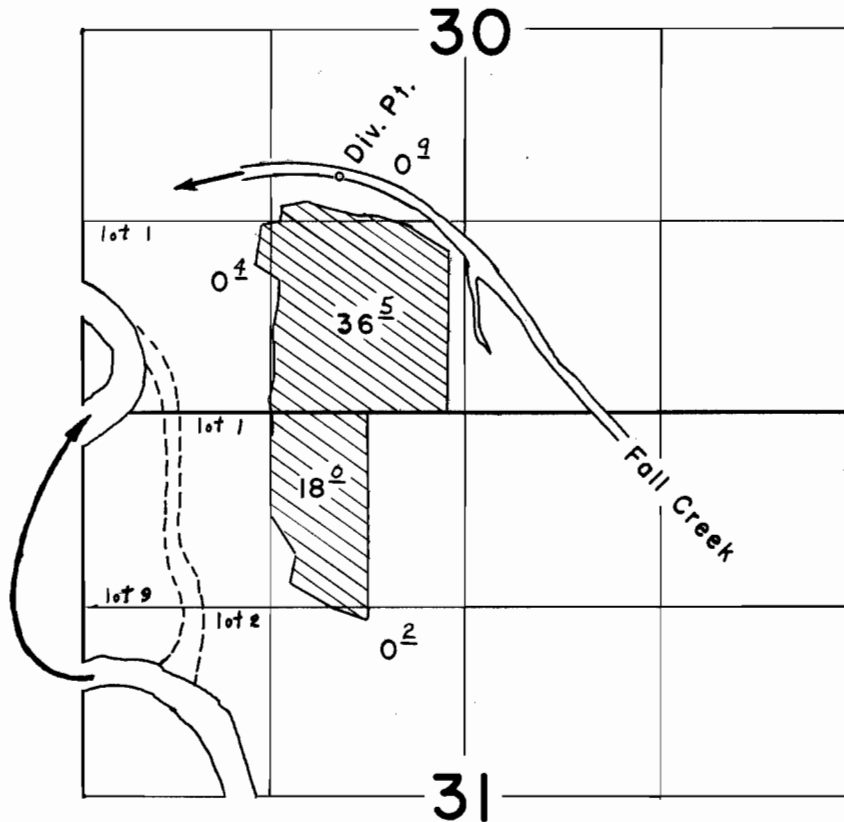


T.18S.R.1W.W.M.



**FINAL PROOF SURVEY**  
UNDER

Application No. 33505... Permit No. 26502...  
IN NAME OF

..... Harold E. Rice .....

Surveyed June 26, 1963, by Tom Lauer.....