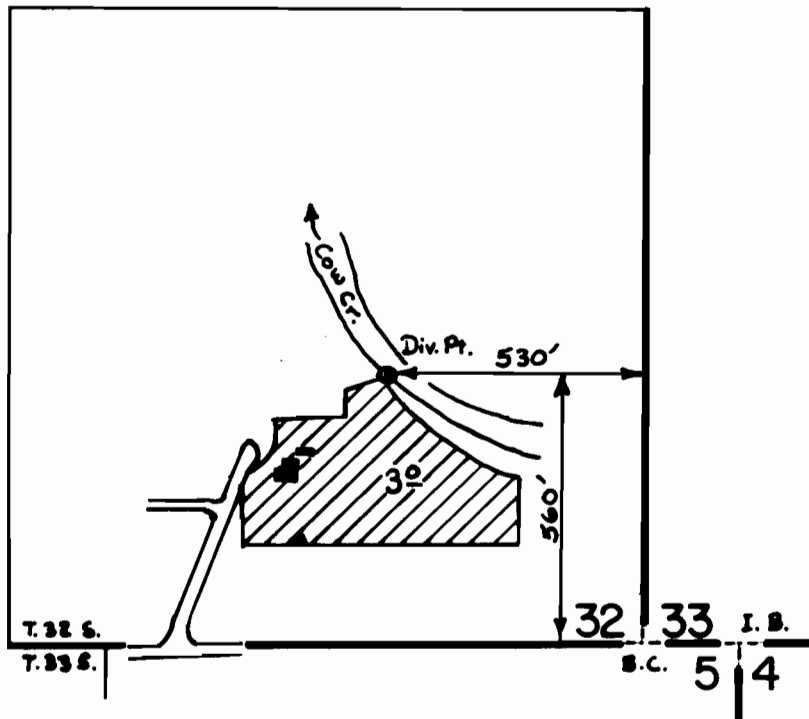


T.32S. R.6W. W.M.

Sec. 32

SE 1/4 SE 1/4



SCALE: 1" = 400'

FINAL PROOF SURVEY
UNDER

Application No. 54676 Permit No. 41023
IN NAME OF

ALTON M. & EDITH L. DILLEN

Surveyed Jan. 11 1978, by D. Sparks