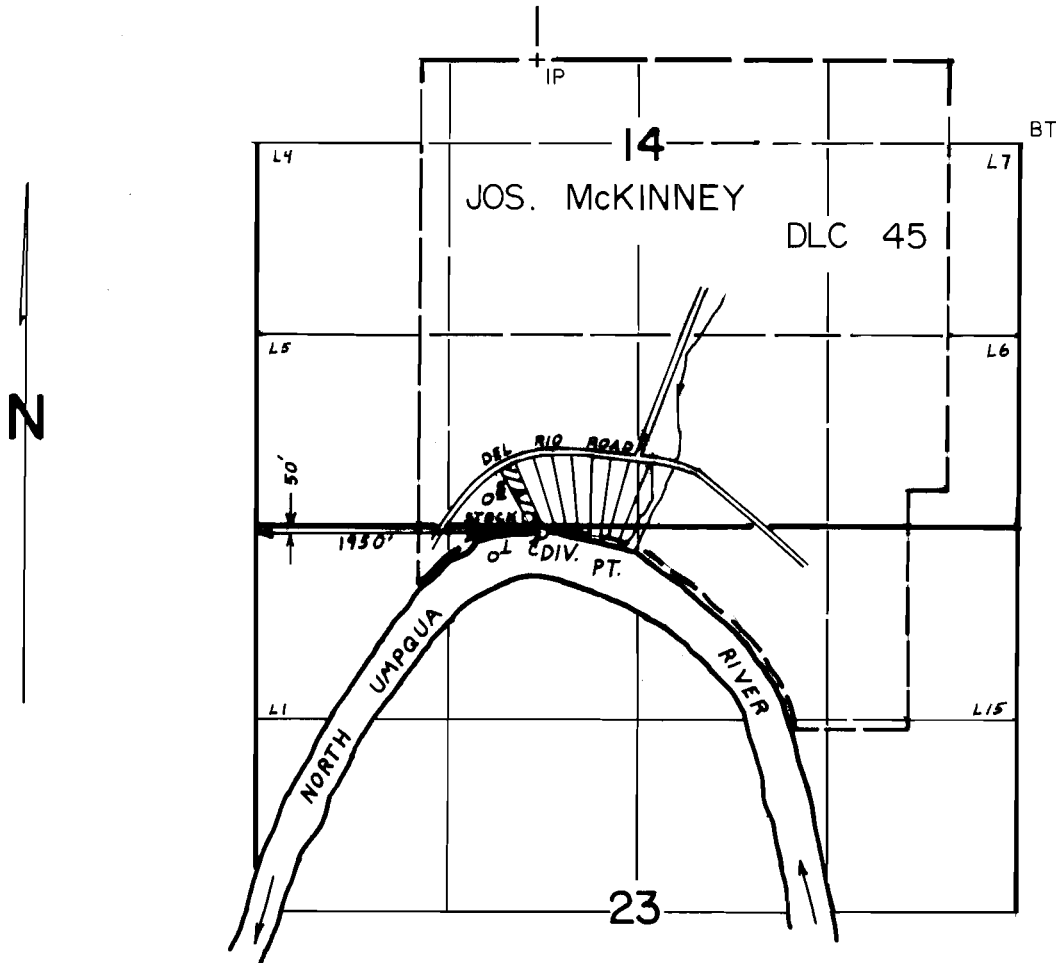


T.26S., R.6W., W.M.

SCALE: 4" = 1 mile



LOT 1, DEL RIO RANCH ESTATES

FINAL PROOF SURVEY
UNDER

Application No. 56814... Permit No. 42676.....
IN NAME OF

GARRY F. SWANSON

Surveyed NOV. 8, 1983, by *J.E. Cashion*...