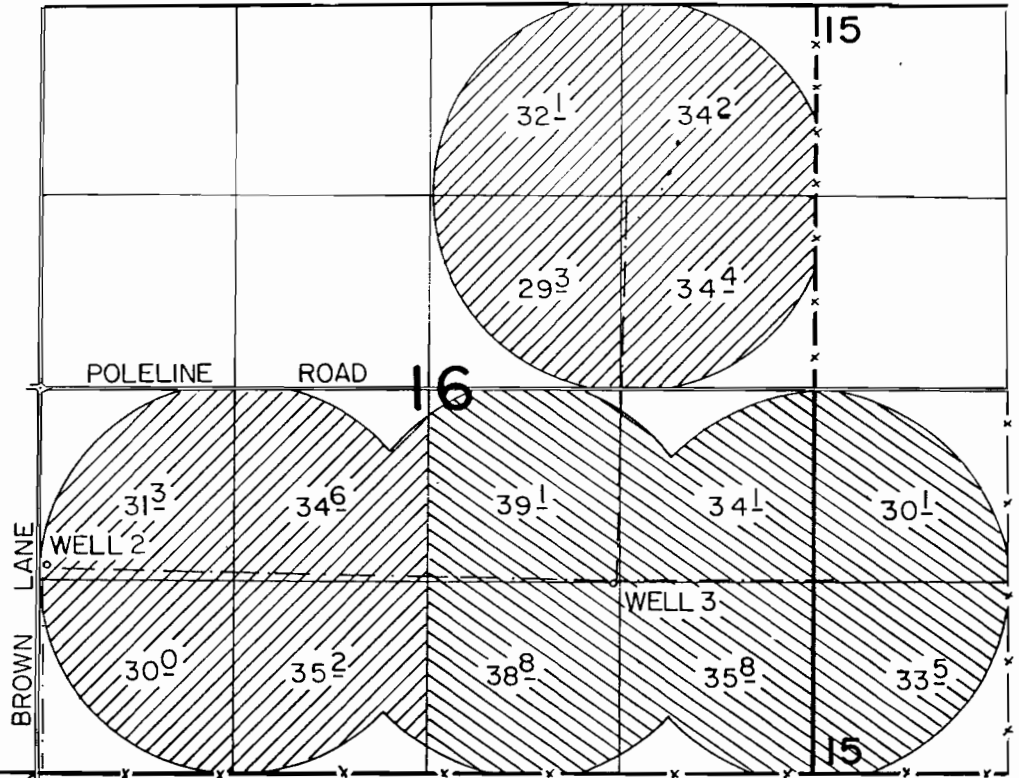


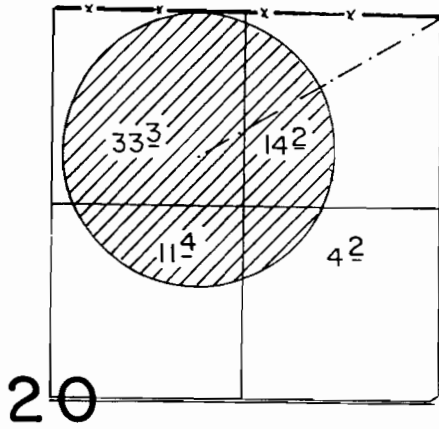


T. 8S., R. 39E., W. M.



WELL 2 LOC. 1210'S. & 50'E. FROM W1/4 COR. SEC. 16
WELL 3 LOC. 1320'N & 1370'W FROM SE COR SEC 16

-  PERMIT G-7881
-  PERMIT G-10138



FINAL PROOF SURVEY UNDER

G-8532 G-7881
Application No. G-10928... Permit No. G-10138.....
IN NAME OF

.....JIM & DAVE..... BLATCFORD.....

Surveyed *March 22, 1983*, by *V.L. Church*.....
July 16 84