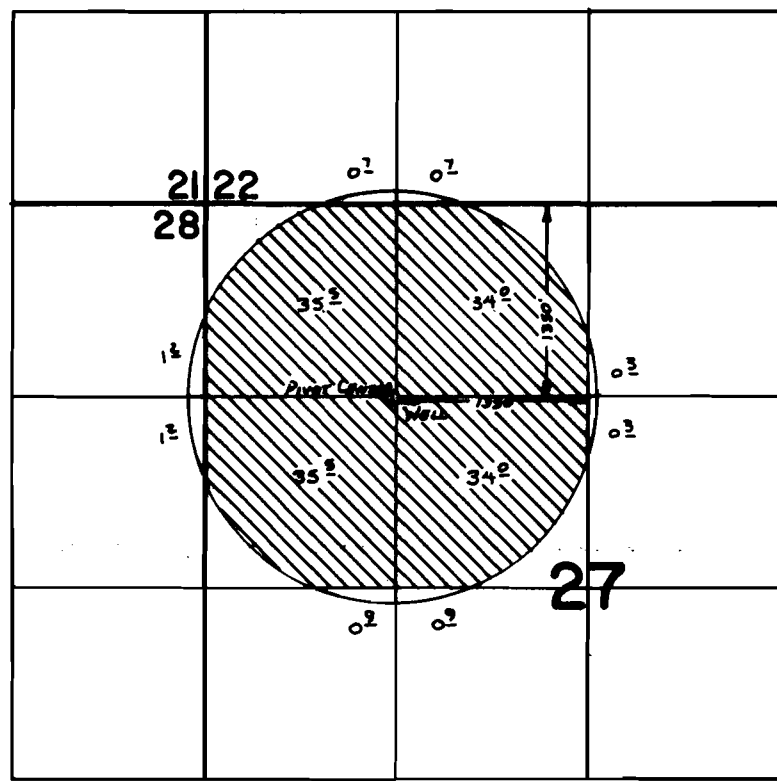


G-8982
52875

T.27S.,R.16E.,W.M.



FINAL PROOF SURVEY UNDER

Application No. G:9618.. Permit No. G:8982.....
IN NAME OF

MEARL W. & PATTY L. BLEVINS

Surveyed Oct...13... 19.83., by L..M..TOLL.....