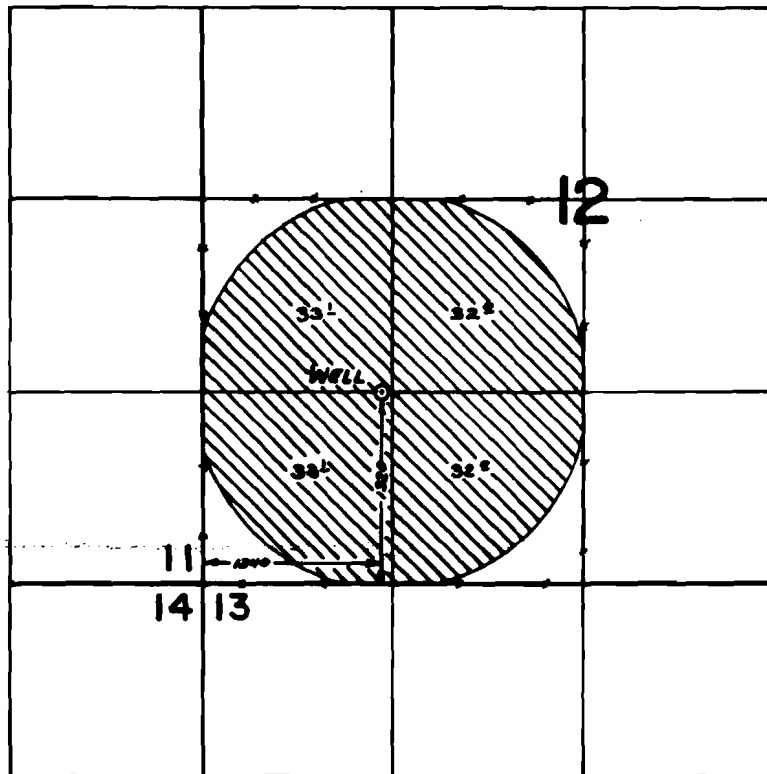


T.27S.,R.17E.,W.M.



FINAL PROOF SURVEY UNDER

Application No. G:9627. Permit No. G:8821.....

IN NAME OF

**DONALD AND
MARLENE A. BOYLES.....**

Surveyed OCT...24. 19.81., by .L...TOLL.....