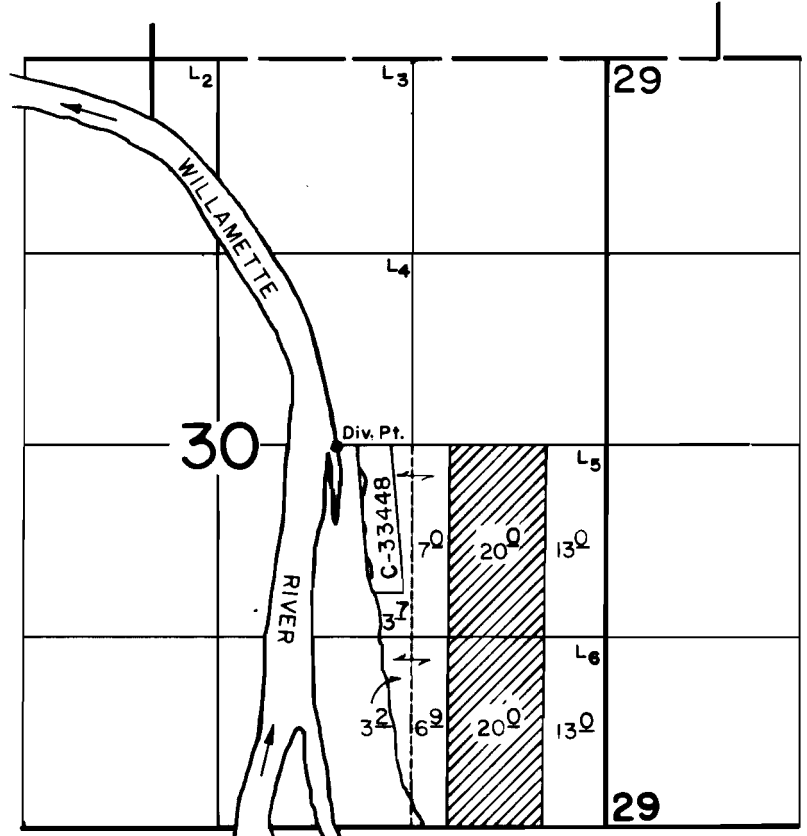


T.14S.,R.4W.,W.M.



DIV. PT. LOC: 2610' N. & 1840' W. FROM THE S.E. COR. OF SEC. 30

SCALE: 1" = 1320'

FINAL PROOF SURVEY

UNDER

Application No. 59528.. Permit No. 44563.....
IN NAME OF

.....JEFFREY KROPF.....

Surveyed ..O.C.T..2.. 19.85., by ..I.M..WARREN....