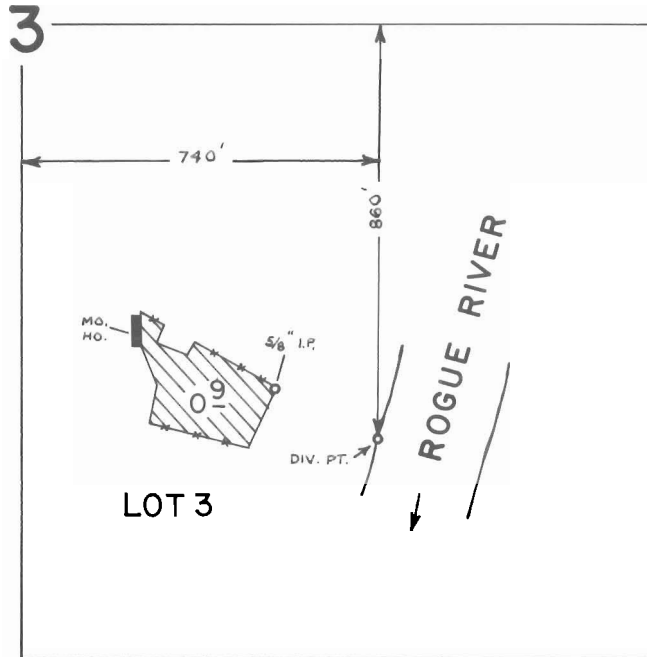


T. 34 S., R. 1 W., W.M.



SCALE: 1" = 400 FT.

FINAL PROOF SURVEY
UNDER

Application No. 52128 Permit No. 39263

IN NAME OF

HELEN ABELL

Surveyed MAY 30 1979 by B. SUND