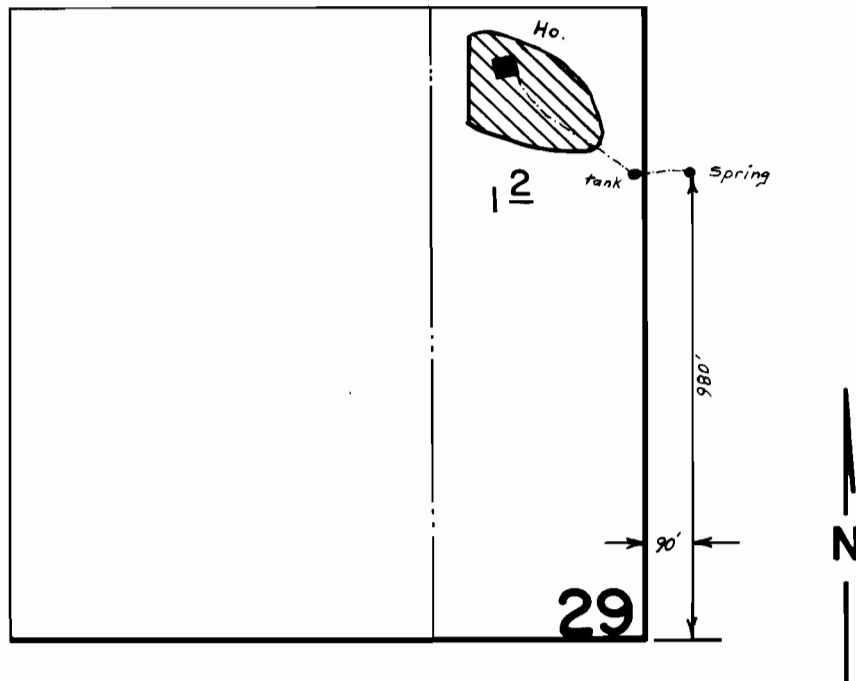


T. 33 S., R. 5 W., W.M.

Sec. 29

SE 1/4 SE 1/4



Scale 1" = 400'

FINAL PROOF SURVEY
UNDER

Application No. 53.72.7. Permit No. 40349.....
IN NAME OF

.....GARY D. BOUCHER.....

Surveyed Sept. 10, 1984, by J.R. WOODROOF