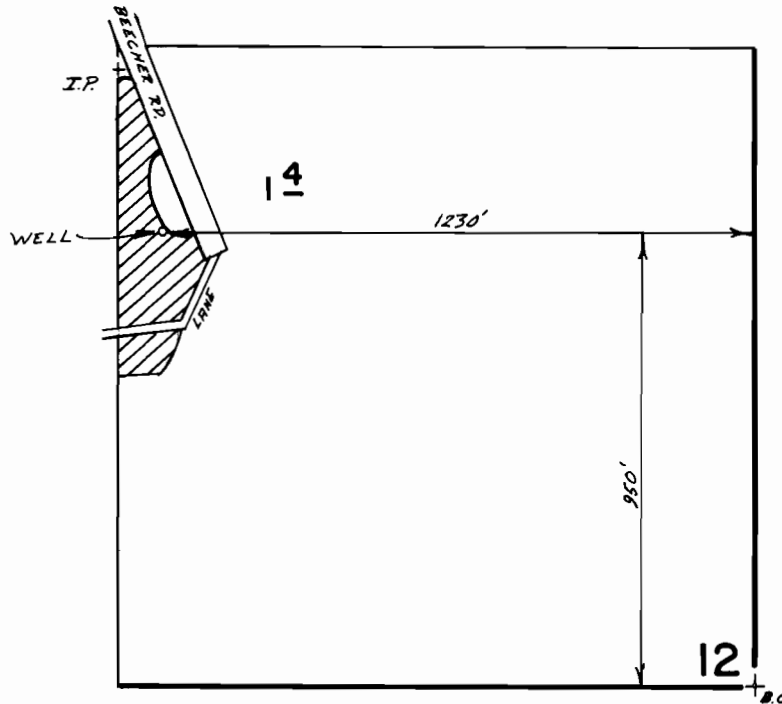


T.34 S., R. 6 W., W.M.

Sec. 12

SE 1/4 SE 1/4



Scale 1" = 400'

FINAL PROOF SURVEY
UNDER

Application No. G-7374 Permit No. G-6821...
IN NAME OF

LEONARD J. BLACKLOCK.....

Surveyed Sept. 20, 1984, by J.R. WOODROOF