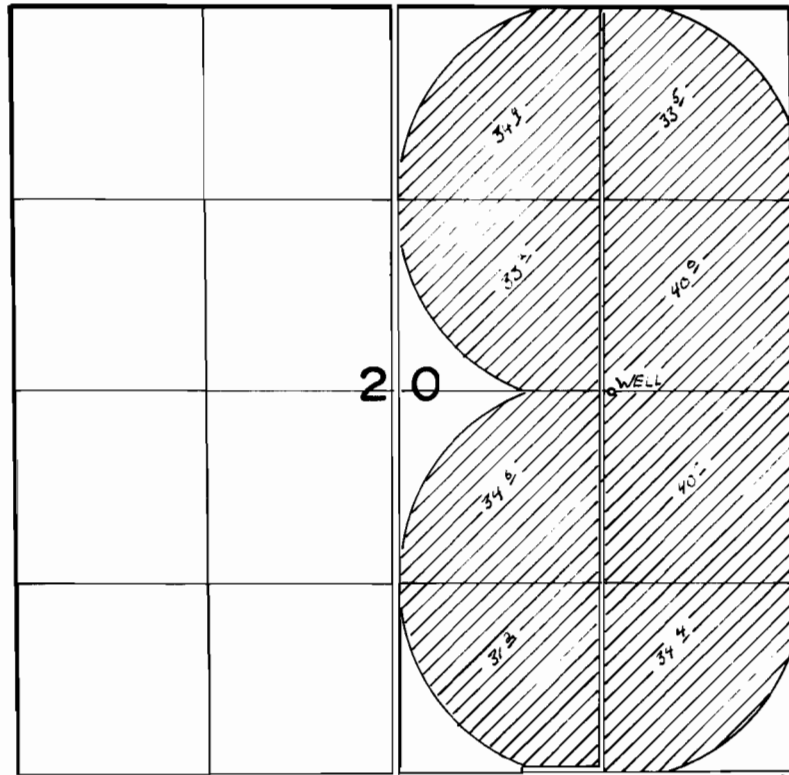


T. 3 S. R. 39 E. W. M.



WELL LOCATION: 2640' NORTH AND 1450' EAST FROM S 1/4 COR. SE 1/4 20

FINAL PROOF SURVEY UNDER

Application No. **G-7443** Permit No. **G-6938**
IN NAME OF

LESTER J. & CARMEN B. ROBINSON

Surveyed *NOV. 19* 19*81*, by *V.L. CHURCH*