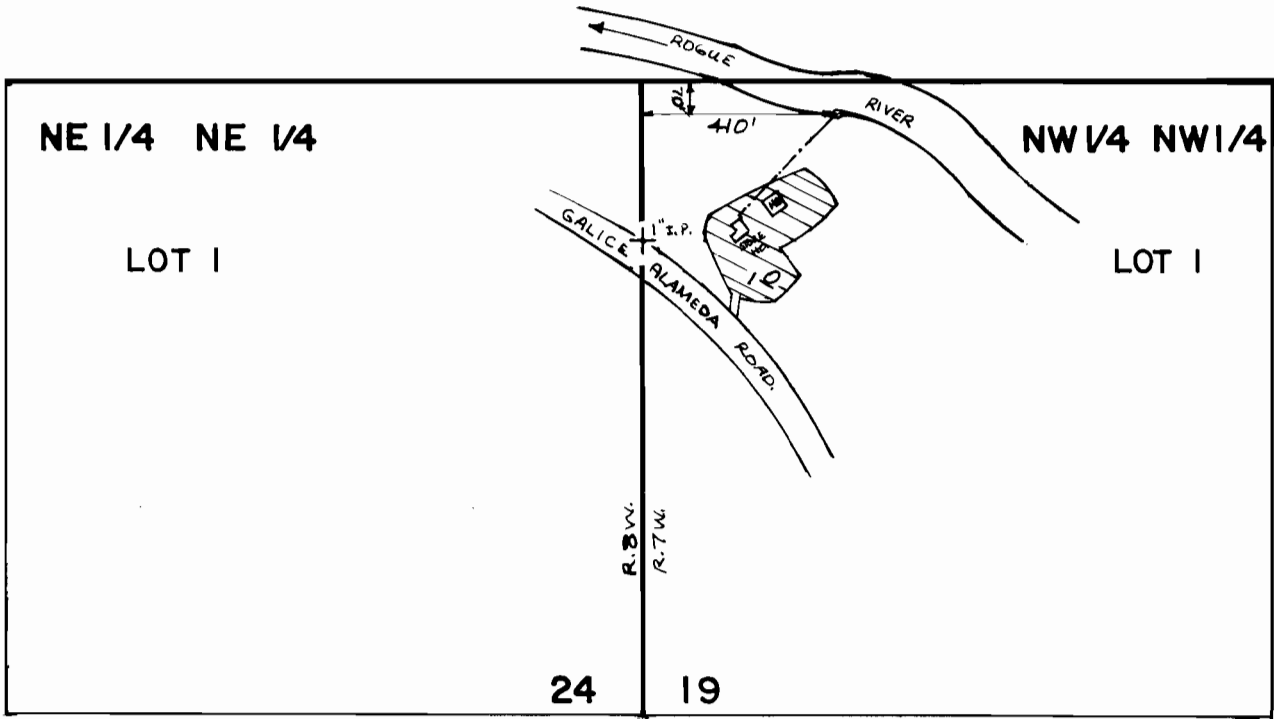


T. 34S., R. 7W., W.M.



SCALE: 1" = 400'

FINAL PROOF SURVEY
UNDER

Application No. 57892 Permit No. 43668

IN NAME OF

JAMES F. & MARJORIE WICKHAM

Surveyed JUNE 27 1984, by B.S. JAMES